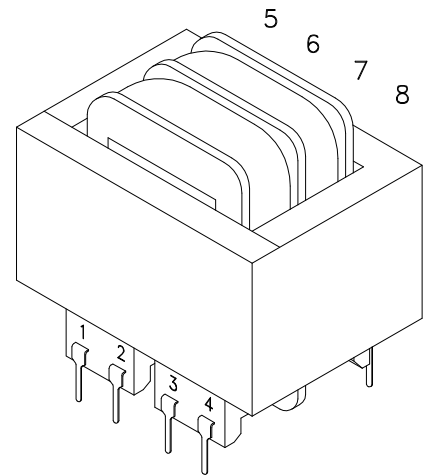


THREE FLANGE DUAL PRIMARY 6.0VA PC BOARD POWER TRANSFORMER



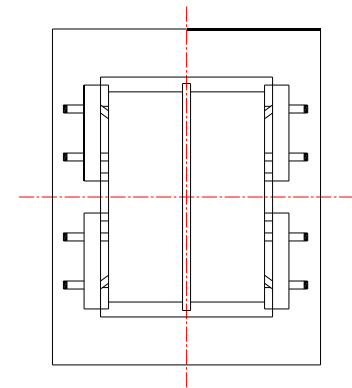
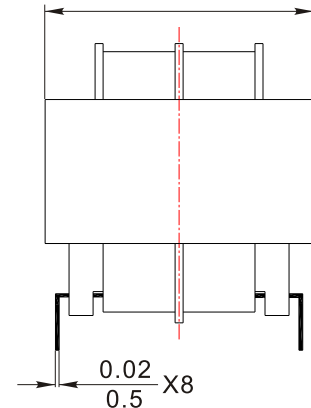
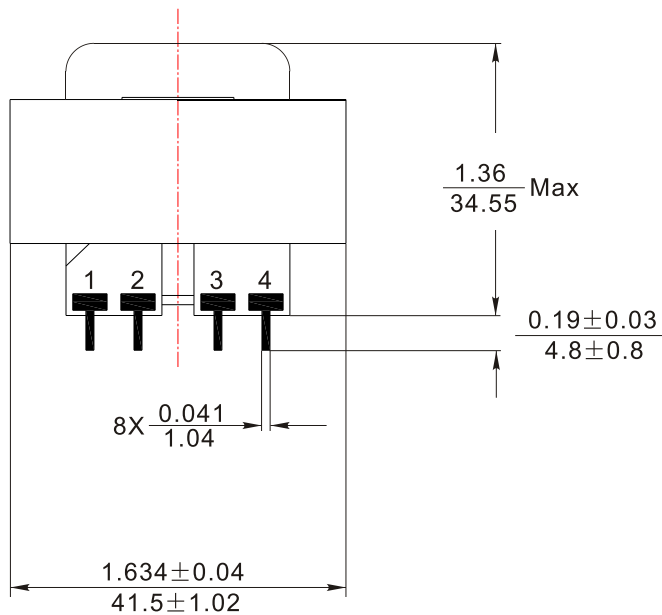
A. Electrical Specifications(@25°C)

1. Maximum Power:6.0VA
2. Input Voltage and Frequency:115/230V 50/60Hz
3. Secondary Voltage:See Table A
4. Voltage Regulation:18% TYP @ full load to no load
5. Temperature Rise:35°C TYP (45°C Max allowed)
6. Insulation Resistance:
 - 100M Ω Min @500VDC, Pri to Sec Pri to Core
 - 100M Ω Min @500VDC, Sec to Core
7. Hi-Pot:2500 Vrms 1 minute @ Pri to Sec
 - 1500 Vrms 1 minute @ Pri to Core
 - 1500 Vrms 1 minute @ Sec to Core
 - 500 Vrms 1 minute @ Sec to Sec



- ## B. Marking:SHINHOM P/N (see sheet 2).
- date code, country of origin, safety logos and input and output ratings

C. Mechanical Specifications:



TEL:+86-029-87851838
 FAX:+86-029-87851840
 ZIP:710054
 Http://www.shinhom.com
 E-mail: sales@shinhom.com.cn
 No.8,Yanta Northern Road,Xi'an ShaanxiPro.China



SHINHOM

SHINHOM SHAANXISHINHOM ENTERPRISE CO LTD

SHINHOM P/N: LPT4818-50XX

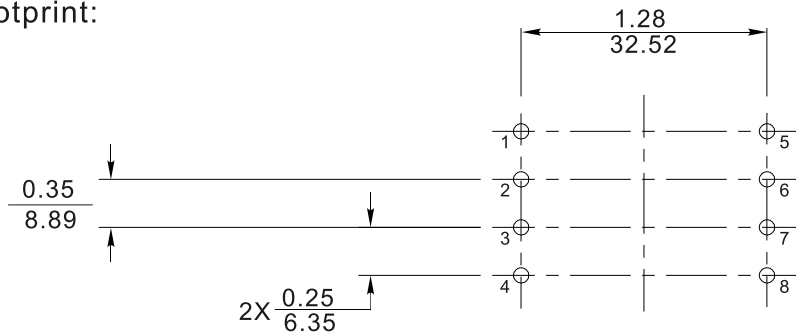
REV: A0 PAGE

DRAWN BY

CHECKED BY

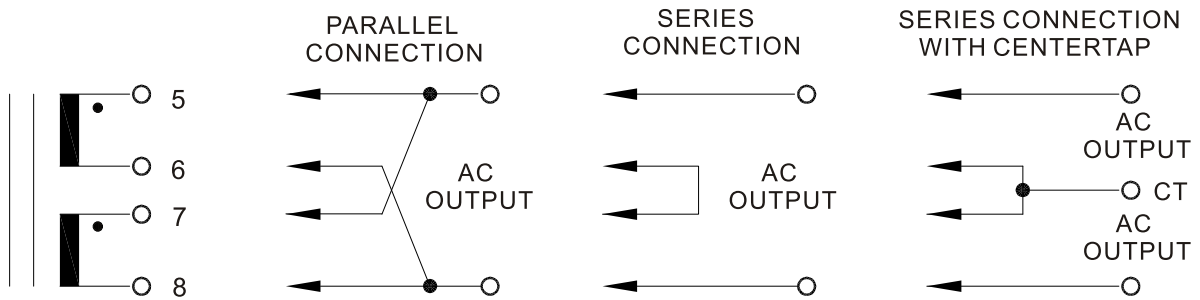
APPROVE BY

D. Mounting Footprint:



E. Connection Diagram:

PRIMARY INPUT CONNECTIONS



F. Table A:(NOTE: all parts are dual marked with both part numbers)

SHINHOM PART NO.	PARALLEL CONNECTION		SERIES CONNECTION		SERIES CONNECTION WITH CT	
	AC COLTS	RMS AMPS	AC VOLTS	RMS AMPS	AC VOLTS	RMS AMPS
LPT4818-5010	5.0	1.20	10.0	0.60	5.0 - CT - 5.0	0.60
LPT4818-5012	6.3	1.00	12.6	0.50	6.3 - CT - 6.3	0.50
LPT4818-5016	8.0	0.80	16.0	0.40	8.0 - CT - 8.0	0.40
LPT4818-5020	10.0	0.60	20.0	0.30	10.0 - CT - 10.0	0.30
LPT4818-5024	12.0	0.50	24.0	0.25	12.0 - CT - 12.0	0.25
LPT4818-5028	14.0	0.40	28.0	0.20	14.0 - CT - 14.0	0.20
LPT4818-5036	18.0	0.34	36.0	0.17	18.0 - CT - 18.0	0.17
LPT4818-5048	24.0	0.25	48.0	0.125	24.0 - CT - 24.0	0.125
LPT4818-5056	28.0	0.22	56.0	0.11	28.0 - CT - 28.0	0.11
LPT4818-50120	60.0	0.10	120.0	0.05	60.0 - CT - 60.0	0.05

TEL:+86-029-87851838
 FAX:+86-029-87851840
 ZIP:710054
 Http://www.shinhom.com
 E-mail: sales@shinhom.com.cn
 No.8,Yanta Northern Road,Xi'an ShaanxiPro.China



SHINHOM P/N: LPT4818-50XX

REV: A0 PAGE

DRAWN BY

CHECKED BY

APPROVE BY