

HIGH TEMPERATURE, HIGH CURRENT TOROID INDUCTORS

TS2100 SERIES

FEATURES:

- Low core loss
- Low magnetic radiation
- High current capacity
- Horizontal or vertical mount available
- Operating temperature: -55°C to +125°C

APPLICATIONS:

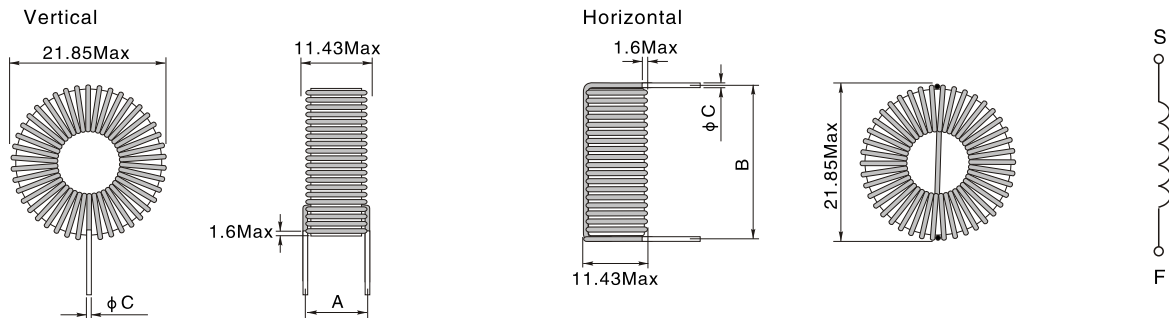
- Switch mode power supplies
- DC/DC converter
- Output chokes
- EMI filters



ELECTRICAL CHARACTERISTICS:

Part Number	Inductance L0(μH) 10KHz,0.1V	Rated current Idc (A)	Inductance Ldc(μH) 10KHz,0.1V	DCR Max. (Ω)	Dim. (mm) A	Dim. (mm) B	Dim. (mm) C
TS2100V/H-1R0Y	1.0	21.4	0.8	0.002	9.4	20.32	1.35
TS2100V/H-1R5Y	1.5	18.5	1.1	0.003	9.4	20.32	1.35
TS2100V/H-2R2Y	2.2	16.5	1.5	0.003	9.4	20.32	1.35
TS2100V/H-3R3Y	3.3	15.1	2.1	0.003	9.4	20.32	1.35
TS2100V/H-4R7Y	4.7	14.0	2.9	0.003	9.4	20.32	1.35
TS2100V/H-5R6Y	5.6	13.1	3.3	0.004	9.4	20.32	1.35
TS2100V/H-6R8Y	6.8	12.3	3.9	0.004	9.4	20.32	1.35
TS2100V/H-8R2Y	8.2	11.7	4.5	0.005	9.4	20.32	1.35
TS2100V/H-100Y	10	11.4	5.2	0.005	9.4	20.32	1.35
TS2100V/H-120Y	12	10.9	6.1	0.006	9.4	20.32	1.35
TS2100V/H-150Y	15	10.5	7.3	0.006	9.4	20.32	1.35
TS2100V/H-180Y	18	10.1	8.5	0.007	9.4	20.32	1.35
TS2100V/H-220Y	22	7.5	11.8	0.012	8.89	19.81	1.067
TS2100V/H-270Y	27	7.3	14.2	0.012	8.89	19.81	1.067
TS2100V/H-330Y	33	6.9	16.6	0.014	8.89	19.81	1.067
TS2100V/H-390Y	39	6.6	18.8	0.015	8.89	19.81	1.067
TS2100V/H-470Y	47	5.2	25.3	0.024	8.38	19.3	0.86
TS2100V/H-560Y	56	5.0	29.3	0.026	8.38	19.3	0.86
TS2100V/H-680Y	68	4.7	34.0	0.03	10.16	19.3	0.86
TS2100V/H-820Y	82	4.6	39.9	0.032	10.16	19.3	0.86
TS2100V/H-101Y	100	4.3	46.2	0.036	10.16	19.3	0.86
TS2100V/H-121Y	120	4.1	53.5	0.039	10.16	19.3	0.86
TS2100V/H-151Y	150	3.9	63.8	0.043	10.16	19.3	0.86
TS2100V/H-181Y	180	3.7	73.3	0.048	10.16	19.3	0.86
TS2100V/H-221Y	220	3.5	85.1	0.053	10.16	19.3	0.86
TS2100V/H-271Y	270	2.7	124.2	0.093	9.4	18.8	0.686
TS2100V/H-331Y	330	2.5	145.1	0.103	9.4	18.8	0.686
TS2100V/H-391Y	390	2.4	165.4	0.112	9.4	18.8	0.686
TS2100V/H-471Y	470	2.3	190.1	0.124	9.65	19.3	0.686
TS2100V/H-561Y	560	2.2	217.9	0.134	9.65	19.3	0.686
TS2100V/H-681Y	680	2.1	251.9	0.147	9.65	19.3	0.686
TS2100V/H-821Y	820	1.6	361.6	0.257	9.4	19.05	0.56
TS2100V/H-102Y	1000	1.5	421.5	0.284	9.4	19.05	0.56

PHYSICAL CHARACTERISTICS: WINDING:



- Rated Current is based on an Irms temperature rise of 20 °C
- Inductance tolerance: 1.0-8.2uH ± 20%, 10-1000uH ± 15%
- Rated current to cause 30 °C temperature rise

HIGH TEMPERATURE, HIGH CURRENT TOROID INDUCTORS

TS2200 SERIES

FEATURES:

- Low core loss
- Low magnetic radiation
- High current capacity
- Horizontal or vertical mount available
- Operating temperature: -55°C to +125°C

APPLICATIONS:

- Switch mode power supplies
- DC/DC converter
- Output chokes
- EMI filters

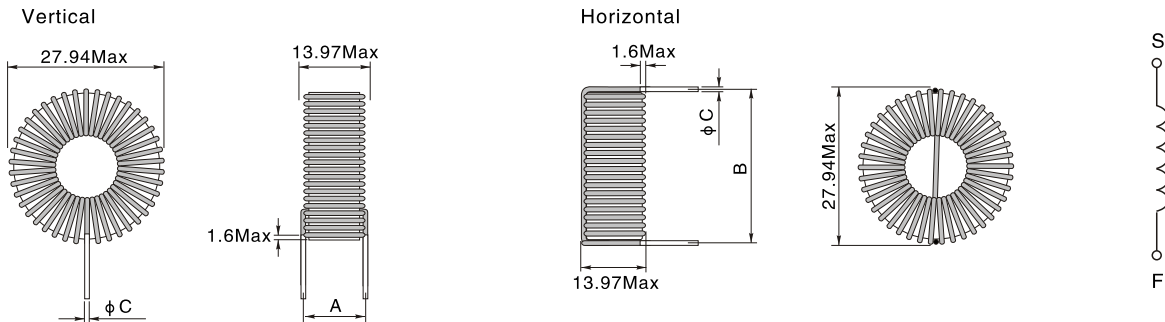


ELECTRICAL CHARACTERISTICS:

Part Number	Inductance L0(μH) 10KHz,0.1V	Rated current Idc (A)	Inductance L1dc(μH) 10KHz,0.1V	DCR Max. (Ω).	Dim. (mm) A	Dim. (mm) B	Dim. (mm) C
TS2200V/H-1R0Y	1.0	26.1	0.8	0.002	11.94	26.67	1.35
TS2200V/H-1R8Y	1.8	22.6	1.4	0.002	11.94	26.67	1.35
TS2200V/H-2R7Y	2.7	20.3	1.9	0.003	11.94	26.67	1.35
TS2200V/H-3R9Y	3.9	18.5	2.7	0.004	11.94	26.67	1.35
TS2200V/H-4R7Y	4.7	17.1	3.1	0.004	11.94	26.67	1.35
TS2200V/H-6R8Y	6.8	16.0	4.4	0.005	11.94	26.67	1.35
TS2200V/H-8R2Y	8.2	15.1	5.1	0.005	11.94	26.67	1.35
TS2200V/H-100Y	10	14.3	6.0	0.006	11.94	26.67	1.35
TS2200V/H-120Y	12	14.2	6.9	0.006	11.94	26.67	1.35
TS2200V/H-150Y	15	13.6	8.3	0.007	11.94	26.67	1.35
TS2200V/H-180Y	18	13.1	9.7	0.007	11.94	26.67	1.35
TS2200V/H-220Y	22	12.6	11.5	0.008	11.94	26.67	1.35
TS2200V/H-270Y	27	11.8	13.5	0.009	11.94	26.67	1.35
TS2200V/H-330Y	33	11.1	15.7	0.010	11.94	26.67	1.35
TS2200V/H-390Y	39	10.8	18.1	0.011	11.94	26.67	1.35
TS2200V/H-470Y	47	10.3	20.9	0.012	11.94	26.67	1.35
TS2200V/H-560Y	56	9.8	23.9	0.013	11.94	26.67	1.35
TS2200V/H-680Y	68	7.6	33.9	0.022	11.43	26.16	1.067
TS2200V/H-820Y	82	7.1	39.0	0.024	11.43	26.16	1.067
TS2200V/H-101Y	100	6.8	45.6	0.027	11.43	26.16	1.067
TS2200V/H-121Y	120	5.1	63.4	0.047	10.92	25.65	0.86
TS2200V/H-151Y	150	4.9	76.0	0.052	10.92	25.65	0.86
TS2200V/H-181Y	180	4.7	88.5	0.057	10.92	25.65	0.86
TS2200V/H-221Y	220	4.4	103.1	0.063	10.92	25.65	0.86
TS2200V/H-271Y	270	4.2	121.1	0.070	10.92	25.65	0.86
TS2200V/H-331Y	330	4.0	141.9	0.077	10.92	25.65	0.86
TS2200V/H-391Y	390	3.8	161.2	0.084	10.92	25.65	0.86
TS2200V/H-471Y	470	3.7	185.7	0.092	10.92	25.65	0.86
TS2200V/H-561Y	560	3.5	212.0	0.101	10.92	25.65	0.86
TS2200V/H-681Y	680	2.7	307.6	0.176	11.94	25.15	0.686
TS2200V/H-821Y	820	2.5	355.5	0.194	11.94	25.15	0.686
TS2200V/H-102Y	1000	2.4	412.5	0.216	11.94	25.15	0.686

PHYSICAL CHARACTERISTICS:

WINDING:



- Rated Current is based on an Irms temperature rise of 20 °C
- Inductance tolerance: 1.0-8.2uH ± 20%, 10-1000uH ± 15%
- Rated current to cause 30 °C temperature rise

HIGH TEMPERATURE, HIGH CURRENT TOROID INDUCTORS

TS2300 SERIES

FEATURES:

- Low core loss
- Low magnetic radiation
- High current capacity
- Horizontal or vertical mount available
- Operating temperature: -55°C to +125°C

APPLICATIONS:

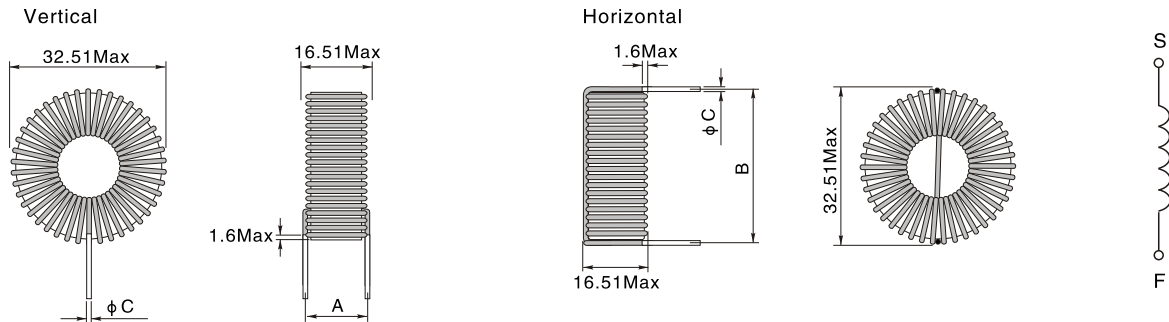
- Switch mode power supplies
- DC/DC converter
- Output chokes
- EMI filters



ELECTRICAL CHARACTERISTICS:

Part Number	Inductance L0(μH) 10KHz,0.1V	Rated current Idc (A)	Inductance Lidc(μH) 10KHz,0.1V	DCR Max. (Ω)	Dim. (mm) A	Dim. (mm) B	Dim. (mm) C
TS2300V/H-1R5Y	1.5	34.0	1.1	0.001	15.0	30.74	1.68
TS2300V/H-2R7Y	2.7	29.4	1.9	0.002	15.0	30.74	1.68
TS2300V/H-3R9Y	3.9	26.3	2.6	0.002	15.0	30.74	1.68
TS2300V/H-5R6Y	5.6	24.0	3.5	0.003	15.0	30.74	1.68
TS2300V/H-8R2Y	8.2	22.3	4.9	0.003	15.0	30.74	1.68
TS2300V/H-100Y	10	20.8	5.8	0.004	15.0	30.74	1.68
TS2300V/H-120Y	12	19.6	6.7	0.004	15.0	30.74	1.68
TS2300V/H-150Y	15	18.6	8.0	0.005	15.0	30.74	1.68
TS2300V/H-180Y	18	18.5	9.0	0.005	15.0	30.74	1.68
TS2300V/H-220Y	22	17.7	10.6	0.005	15.0	30.74	1.68
TS2300V/H-270Y	27	17.0	12.6	0.006	15.0	30.74	1.68
TS2300V/H-330Y	33	13.0	17.9	0.010	14.22	30.0	1.35
TS2300V/H-390Y	39	12.2	20.1	0.011	14.22	30.0	1.35
TS2300V/H-470Y	47	11.8	23.7	0.012	14.22	30.0	1.35
TS2300V/H-560Y	56	8.9	31.9	0.020	13.72	29.5	1.067
TS2300V/H-680Y	68	8.5	37.4	0.023	13.72	29.5	1.067
TS2300V/H-820Y	82	8.1	43.7	0.025	13.72	29.5	1.067
TS2300V/H-101Y	100	7.8	51.7	0.027	13.72	29.5	1.067
TS2300V/H-121Y	120	7.4	59.3	0.030	13.72	29.5	1.067
TS2300V/H-151Y	150	7.0	71.1	0.033	13.72	29.5	1.067
TS2300V/H-181Y	180	6.7	82.1	0.037	13.72	29.5	1.067
TS2300V/H-221Y	220	5.1	116.6	0.063	13.21	29.0	0.864
TS2300V/H-271Y	270	4.8	137.7	0.070	13.21	29.0	0.864
TS2300V/H-331Y	330	4.6	160.8	0.079	13.21	29.0	0.864
TS2300V/H-391Y	390	4.4	183.6	0.085	13.21	29.0	0.864
TS2300V/H-471Y	470	4.2	212.5	0.094	13.21	29.0	0.864
TS2300V/H-561Y	560	4.0	243.6	0.103	13.21	29.0	0.864
TS2300V/H-681Y	680	3.8	283.0	0.113	13.21	29.0	0.864
TS2300V/H-821Y	820	3.6	327.4	0.123	13.21	29.0	0.864
TS2300V/H-102Y	1000	3.5	378.9	0.137	13.21	29.0	0.864

PHYSICAL CHARACTERISTICS: WINDING:



- Rated Current is based on an Irms temperature rise of 20 °C
- Inductance tolerance: 1.0-8.2uH ± 20%, 10-1000uH ± 15%
- Rated current to cause 30 °C temperature rise