



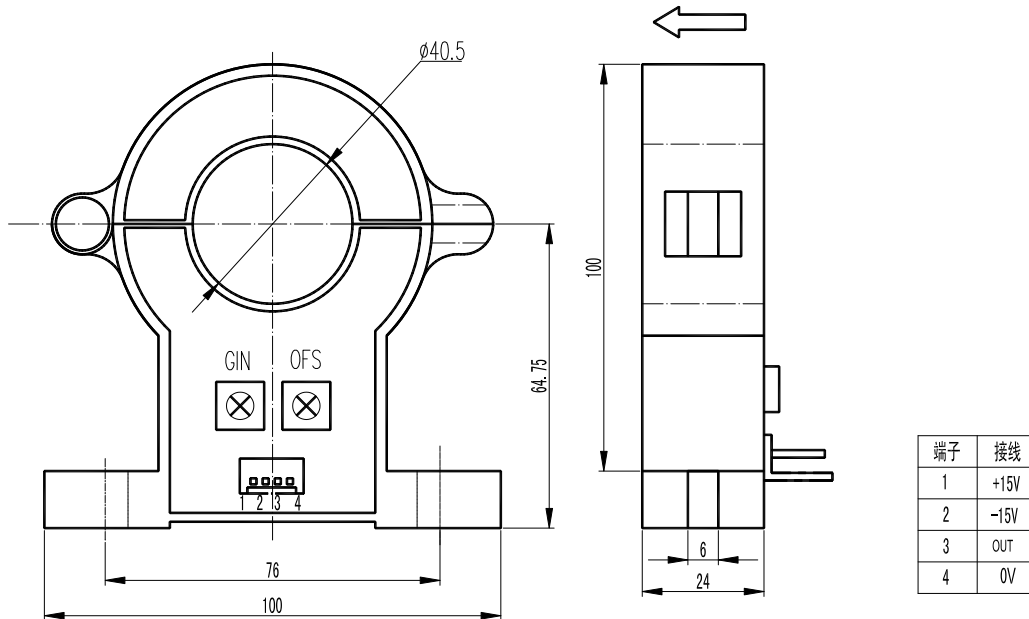
HKC-EKB Series Dismountable Hall Effect Current Sensor

HKC-EKB series current sensor is an open loop device based on the measuring principle of the Hall Effect, with a galvanic isolation between primary and secondary circuit. It provides accurate electronic measurement of DC, AC or pulsed currents.

ELECTRICAL DATA

	HKC200EKB		HKC400EKB		HKC600EKB		
	HKC800EKB		HKC1000EKB		HKC2000EKB		
Rated current	200	400	600	800	1000	2000	A
Measure range	400	800	1200	1600	2000	4000	A
Rated output						4±1%	V
Supply voltage						±15 ±5%	V
offset voltage						20	mV
magnetic offset voltage						±30	mV
offset voltage drift						≤±1	mV/°C
Linearity						≤1	%FS
Response time						≤5	μS
Galvanic isolation	50HZ,1min				2.5		KV
Operating temperature						-40~+85	°C
Storage temperature						-55~+125	°C

MUTING DIMENSIONS(FOR REFERENCE ONLY)



INSTRUCTIONS FOR USE

1. When the current will be measured goes through a sensor, the voltage will be measured at the output end. (Note: The false wiring may result in the damage of the sensor).
2. The output amplitude of the sensor can be adjusted according to users' requirements.
3. Custom design in the nominal input current and the output voltage available.