

HIGH TEMPERATURE, HIGH CURRENT TOROID INDUCTORS

TM2100 SERIES

FEATURES:

- Low magnetic radiation
- High current capacity
- Horizontal or vertical mount available
- Low cost
- Operating temperature: -55°C to +200°C

APPLICATIONS:

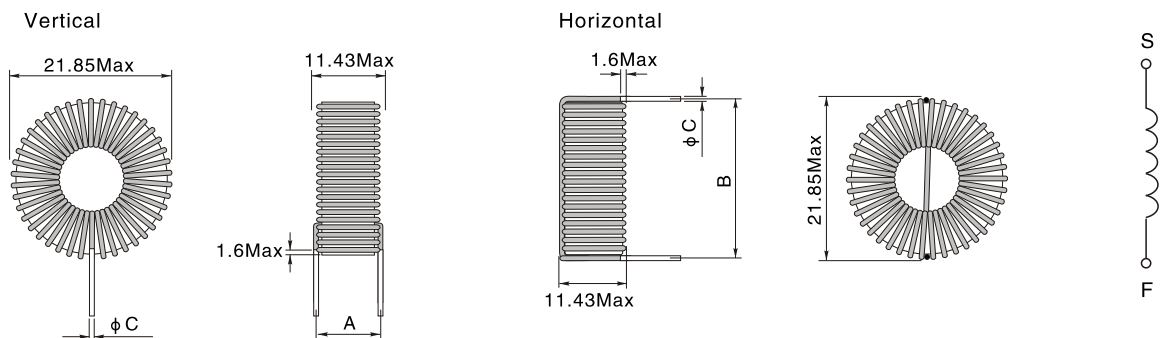
- High operating temperature environments
- DC/DC converter
- Output chokes
- EMI filters



ELECTRICAL CHARACTERISTICS:

Part Number	Inductance L0(μH) ±15% 10KHz,0.1V	Rated current Idc (A)	Inductance LIdc(μH) ±15% 10KHz,0.1V	DCR Max. (Ω).	Dim. (mm) A	Dim. (mm) B	Dim. (mm) C
TM2100V/H-1R0Y	1.0	21.7	0.8	0.003	8.636	19.558	1.346
TM2100V/H-1R5Y	1.5	19.8	1.2	0.003	8.636	19.558	1.346
TM2100V/H-2R2Y	2.2	18.3	1.8	0.004	8.636	19.558	1.346
TM2100V/H-2R7Y	2.7	17.1	2.1	0.004	8.636	19.558	1.346
TM2100V/H-3R3Y	3.3	16.1	2.6	0.005	8.636	19.558	1.346
TM2100V/H-3R9Y	3.9	15.3	3.0	0.005	8.636	19.558	1.346
TM2100V/H-4R7Y	4.7	14.9	3.5	0.006	8.636	19.558	1.346
TM2100V/H-5R6Y	5.6	14.3	4.1	0.006	8.636	19.558	1.346
TM2100V/H-6R8Y	6.8	13.7	4.9	0.006	8.636	19.558	1.346
TM2100V/H-8R2Y	8.2	13.2	5.9	0.007	8.636	19.558	1.346
TM2100V/H-100Y	10	9.9	7.6	0.012	8.382	19.304	1.067
TM2100V/H-120Y	12	9.6	9.0	0.013	8.382	19.304	1.067
TM2100V/H-150Y	15	9.1	11.0	0.014	8.382	19.304	1.067
TM2100V/H-180Y	18	8.6	13.0	0.016	8.382	19.304	1.067
TM2100V/H-220Y	22	6.7	16.6	0.026	8.128	19.05	0.864
TM2100V/H-270Y	27	6.4	20.1	0.028	8.128	19.05	0.864
TM2100V/H-330Y	33	6.1	24.0	0.031	8.89	20.066	0.864
TM2100V/H-390Y	39	5.9	28.0	0.033	8.89	20.066	0.864
TM2100V/H-470Y	47	5.6	33.1	0.036	8.89	20.066	0.864
TM2100V/H-560Y	56	5.3	38.5	0.040	8.89	20.066	0.864
TM2100V/H-680Y	68	5.1	46.0	0.044	8.89	20.066	0.864
TM2100V/H-820Y	82	4.8	54.0	0.049	8.89	20.066	0.864
TM2100V/H-101Y	100	4.6	64.5	0.053	8.89	20.066	0.864
TM2100V/H-121Y	120	3.5	84.4	0.094	8.636	19.558	0.686
TM2100V/H-151Y	150	3.3	102.8	0.11	8.636	19.558	0.686
TM2100V/H-181Y	180	3.1	120.7	0.12	8.636	19.558	0.686
TM2100V/H-221Y	220	3.0	144.2	0.13	8.89	20.066	0.686
TM2100V/H-271Y	270	2.8	172.6	0.14	8.89	20.066	0.686
TM2100V/H-331Y	330	2.7	206.0	0.16	8.89	20.066	0.686
TM2100V/H-391Y	390	2.1	266.7	0.27	8.382	19.304	0.559
TM2100V/H-471Y	470	2.0	314.4	0.29	8.89	20.066	0.559
TM2100V/H-561Y	560	1.9	366.9	0.32	8.89	20.066	0.559
TM2100V/H-681Y	680	1.8	435.1	0.35	8.89	20.066	0.559
TM2100V/H-821Y	820	1.7	512.0	0.39	9.398	20.574	0.559
TM2100V/H-102Y	1000	1.6	608.2	0.43	9.398	20.574	0.559

PHYSICAL CHARACTERISTICS: WINDING:



HIGH TEMPERATURE, HIGH CURRENT TOROID INDUCTORS

TM2200 SERIES

FEATURES:

- Low magnetic radiation
- High current capacity
- Horizontal or vertical mount available
- Low cost
- Operating temperature: -55°C to +200°C

APPLICATIONS:

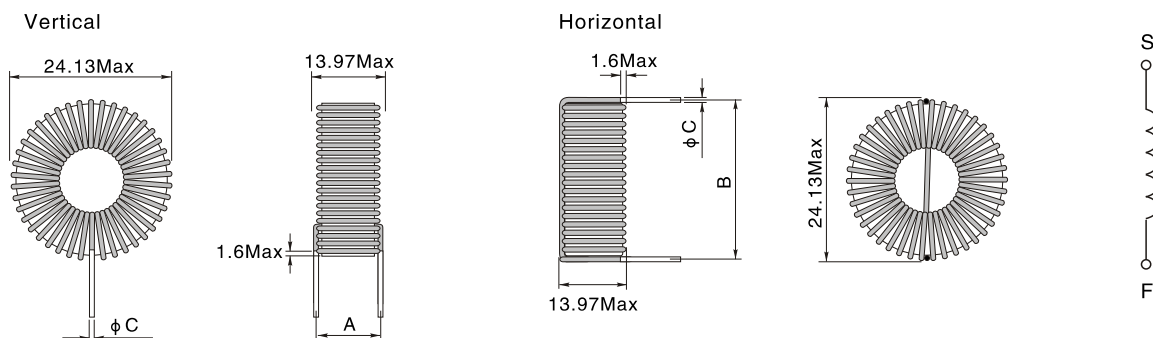
- High operating temperature environments
- DC/DC converter
- Output chokes
- EMI filters



ELECTRICAL CHARACTERISTICS:

Part Number	Inductance L0(μH) ±15% 10KHz,0.1V	Rated current Idc (A)	Inductance Lidc(μH) ±15% 10KHz,0.1V	DCR Max. (Ω).	Dim. (mm) A	Dim. (mm) B	Dim. (mm) C
TM2200V/H-1R2Y	1.2	23.8	1.0	0.003	11.684	22.352	1.346
TM2200V/H-1R8Y	1.8	21.8	1.5	0.004	11.684	22.352	1.346
TM2200V/H-2R2Y	2.2	20.1	1.8	0.005	11.684	22.352	1.346
TM2200V/H-3R3Y	3.3	18.8	2.7	0.005	11.684	22.352	1.346
TM2200V/H-3R9Y	3.9	17.8	3.1	0.006	11.684	22.352	1.346
TM2200V/H-4R7Y	4.7	16.9	3.7	0.006	11.684	22.352	1.346
TM2200V/H-5R6Y	5.6	16.1	4.4	0.007	11.684	22.352	1.346
TM2200V/H-6R8Y	6.8	15.7	5.2	0.007	11.684	22.352	1.346
TM2200V/H-8R2Y	8.2	15.1	6.2	0.008	11.684	22.352	1.346
TM2200V/H-100Y	10	11.2	7.9	0.014	11.684	22.352	1.346
TM2200V/H-120Y	12	10.9	9.4	0.015	11.684	22.352	1.346
TM2200V/H-150Y	15	10.3	11.5	0.017	11.684	22.352	1.346
TM2200V/H-180Y	18	9.7	13.6	0.018	11.684	22.352	1.346
TM2200V/H-220Y	22	9.3	16.3	0.020	11.43	22.1	1.067
TM2200V/H-270Y	27	8.9	19.7	0.022	11.43	22.1	1.067
TM2200V/H-330Y	33	8.4	23.5	0.025	11.43	22.1	1.067
TM2200V/H-390Y	39	8.1	27.4	0.026	11.43	22.1	1.067
TM2200V/H-470Y	47	6.4	34.9	0.042	11.18	21.844	0.864
TM2200V/H-560Y	56	6.1	40.9	0.046	11.18	21.844	0.864
TM2200V/H-680Y	68	5.8	48.8	0.050	11.18	21.844	0.864
TM2200V/H-820Y	82	5.6	57.6	0.055	12.2	22.86	0.864
TM2200V/H-101Y	100	5.3	68.9	0.061	12.2	22.86	0.864
TM2200V/H-121Y	120	5.0	80.8	0.067	12.2	22.86	0.864
TM2200V/H-151Y	150	4.8	98.4	0.075	12.2	22.86	0.864
TM2200V/H-181Y	180	4.6	115.6	0.082	12.2	22.86	0.864
TM2200V/H-221Y	220	4.3	137.5	0.091	12.2	22.86	0.864
TM2200V/H-271Y	270	3.3	184.8	0.16	11.684	22.352	0.686
TM2200V/H-331Y	330	3.1	220.7	0.18	11.684	22.352	0.686
TM2200V/H-391Y	390	3.0	255.2	0.19	11.684	22.352	0.686
TM2200V/H-471Y	470	2.8	300.5	0.21	12.446	23.114	0.686
TM2200V/H-561Y	560	2.7	350.3	0.23	12.446	23.114	0.686
TM2200V/H-681Y	680	2.6	414.8	0.27	12.446	23.114	0.686
TM2200V/H-821Y	820	2.0	548.5	0.44	12.446	23.114	0.559
TM2200V/H-102Y	1000	1.9	653.1	0.49	12.446	23.114	0.559

PHYSICAL CHARACTERISTICS: WINDING:



HIGH TEMPERATURE, HIGH CURRENT TOROID INDUCTORS

TM2300 SERIES

FEATURES:

- Low magnetic radiation
- High current capacity
- Horizontal or vertical mount available
- Low cost
- Operating temperature: -55°C to +200°C

APPLICATIONS:

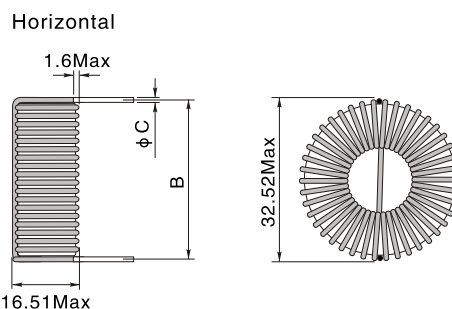
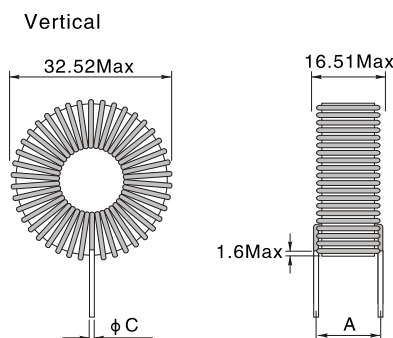
- High operating temperature environments
- DC/DC converter
- Output chokes
- EMI filters



ELECTRICAL CHARACTERISTICS:

Part Number	Inductance L0(μH) ±15% 10KHz,0.1V	Rated current Idc (A)	Inductance Lidc(μH) ±15% 10KHz,0.1V	DCR Max. (Ω).	Dim. (mm) A	Dim. (mm) B	Dim. (mm) C
TM2300V/H-1R2Y	1.2	38.7	1.0	0.002	14.224	29.97	1.68
TM2300V/H-1R8Y	1.8	34.6	1.5	0.003	14.224	29.97	1.68
TM2300V/H-2R7Y	2.7	31.6	2.2	0.003	14.224	29.97	1.68
TM2300V/H-3R9Y	3.9	29.2	3.1	0.004	14.224	29.97	1.68
TM2300V/H-4R7Y	4.7	27.3	3.7	0.004	14.224	29.97	1.68
TM2300V/H-5R6Y	5.6	25.8	4.3	0.005	14.224	29.97	1.68
TM2300V/H-6R8Y	6.8	24.5	5.1	0.005	14.224	29.97	1.68
TM2300V/H-8R2Y	8.2	24.3	6.0	0.005	14.224	29.97	1.68
TM2300V/H-100Y	10	23.3	7.2	0.006	14.224	29.97	1.68
TM2300V/H-120Y	12	22.4	8.5	0.006	14.224	29.97	1.68
TM2300V/H-150Y	15	20.8	10.3	0.007	14.224	29.97	1.68
TM2300V/H-180Y	18	20.2	12.2	0.007	14.224	29.97	1.68
TM2300V/H-220Y	22	19.0	14.5	0.008	14.224	29.97	1.68
TM2300V/H-270Y	27	14.3	19.2	0.014	13.462	28.96	1.35
TM2300V/H-330Y	33	13.6	23.0	0.015	13.462	28.96	1.35
TM2300V/H-390Y	39	13.0	26.7	0.017	13.462	28.96	1.35
TM2300V/H-470Y	47	10.0	34.7	0.028	13.208	28.7	1.067
TM2300V/H-560Y	56	9.7	40.8	0.030	13.208	28.7	1.067
TM2300V/H-680Y	68	9.2	48.5	0.034	13.208	28.7	1.067
TM2300V/H-750Y	75	9.0	52.6	0.036	13.208	28.7	1.067
TM2300V/H-820Y	82	8.8	57.4	0.037	13.208	28.7	1.067
TM2300V/H-101Y	100	8.3	68.3	0.041	14.224	29.72	1.067
TM2300V/H-121Y	120	8.0	80.5	0.045	14.224	29.72	1.067
TM2300V/H-151Y	150	7.5	97.9	0.050	14.224	29.72	1.067
TM2300V/H-181Y	180	7.2	114.5	0.055	14.224	29.72	1.067
TM2300V/H-221Y	220	6.8	136.6	0.061	14.224	29.72	1.067
TM2300V/H-271Y	270	6.5	163.2	0.067	14.224	29.72	1.067
TM2300V/H-331Y	330	4.9	218.3	0.10	13.716	29.47	0.94
TM2300V/H-391Y	390	4.7	252.8	0.13	13.716	29.47	0.94
TM2300V/H-471Y	470	4.5	297.9	0.14	13.716	29.47	0.94
TM2300V/H-561Y	560	3.4	389.1	0.24	13.462	28.96	0.686
TM2300V/H-681Y	680	3.2	461.4	0.27	13.462	28.96	0.686
TM2300V/H-821Y	820	3.1	545.2	0.30	13.462	28.96	0.686
TM2300V/H-102Y	1000	2.9	648.2	0.33	14.732	29.72	0.686

PHYSICAL CHARACTERISTICS:



WINDING: