



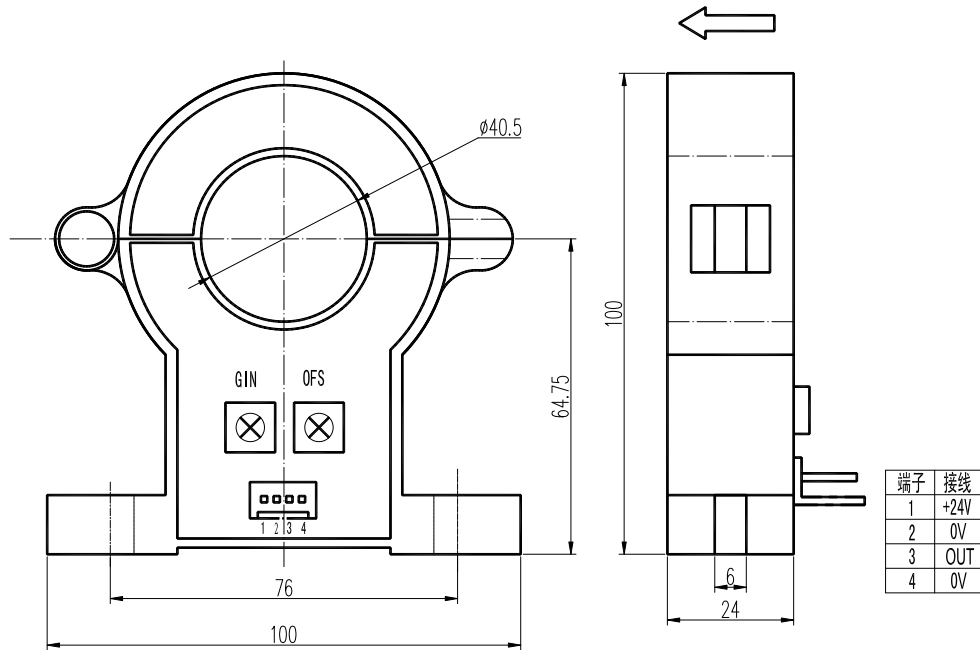
HKC-EKBS12 Series removable Hall Effect Current Sensor

HKC-EKBS12 series current sensor is an open loop device based on the measuring principle of the Hall Effect, with a galvanic isolation between primary and secondary circuit. It provides accurate electronic measurement of DC, AC currents.

ELECTRICAL DATA(25°C)

	HKC200EKBS12	HKC400EKBS12	HKC800EKBS12	HKC1000EKBS12	HKC2000EKBS12	
Rated input current	200	400	800	1000	2000	A
Current range	400	800	1600	2000	4000	A
Rated output voltage					2±1%	V
Supply voltage					+12±5%	V
Offset Voltage					2.5±1%	V
Magnetic Offset voltage	≤±40				≤±30	mV
Offset Voltage drift	≤±1.5				≤±1	mV/°C
Linearity					≤±1	%FS
Response Time					≤5	μS
Insulation voltage	(50HZ,1min)			2.5		KV
Operating Temperature					-40~+85	°C
Storage Temperature					-40~+105	°C

MUTING DIMENSIONS



NOTES

1. When the current will be measured goes through a sensor, the voltage will be measured at the output end. (Note: The false wiring may result in the damage of the sensor).
2. The output amplitude of the sensor can be adjusted according to users' requirements.
3. Custom design in the nominal input current and the output voltage available.