



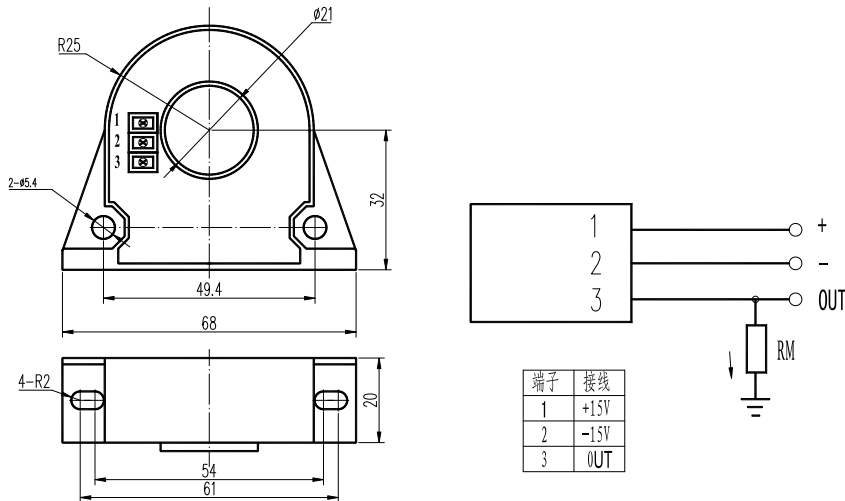
HBC200LTA-100mA Hall Effect Current Sensor

HBC200LTA-100mA current sensor with a galvanic isolation between primary and secondary circuit. It provides accurate electronic measurement of DC, AC or pulsed currents.

ELECTRICAL DATA

	HBC200LTA-100m A	
Rated input current(I _{pn})	200	A
Test current range(I _p)	300	A
Rated output current	100±0.5%	mA
Supply voltage	±15±5%	V
Consumption current	≤±20	mA
Offset current	±0.2	mA
Offset current Drift	≤±0.015	mA/°C
Linearity	≤±0.2	%FS
Response time	<1	μS
Insulation voltage(50HZ,AC,1min)	2.5	KV
Operating Temperature(TA)	-20~+85	°C
Storage Temperature(TS)	-25~+85	°C

MUTING DIMENSIONS(FOR REFERENCE ONLY)



INSTRUCTIONS FOR USE

1. When the current will be measured goes through a sensor, the voltage will be measured at the output end. (Note: The false wiring may result in the damage of the sensor).
2. The output amplitude of the sensor can be adjusted according to users requirements.
3. Custom design in the nominal input current and the output voltage available