



# SHAANXI SHINHOM ENTERPRISE CO.,LTD

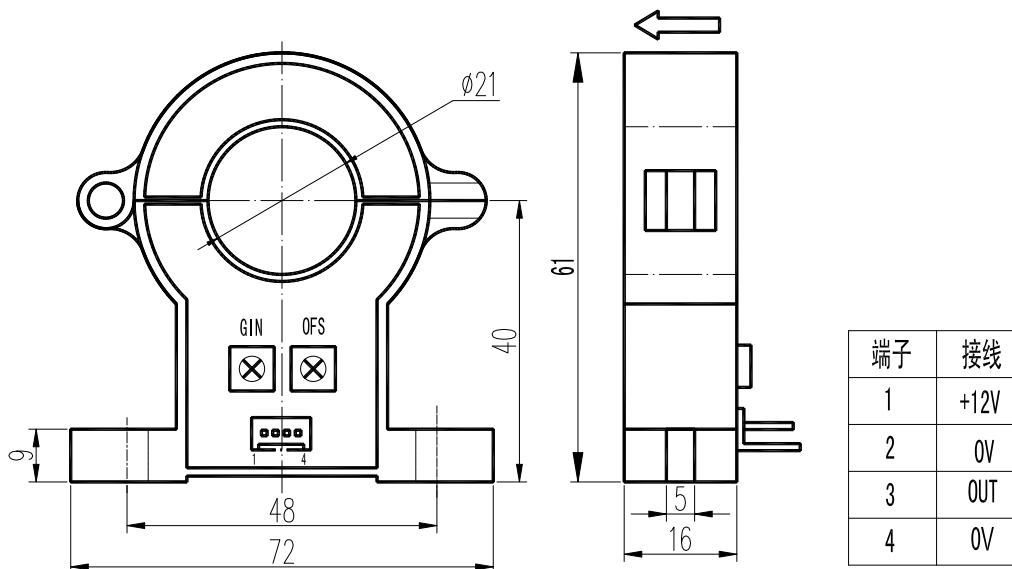
## HKC-EKAS12 Series removable Hall Effect Current Sensor

HKC-EKAS12 series current sensor is an open loop device based on the measuring principle of the Hall Effect, with a galvanic isolation between primary and secondary circuit. It provides accurate electronic measurement of DC, AC currents.

### ELECTRICAL DATA(25°C)

	HKC100EKAS12	HKC200EKAS12	HKC300EKAS12	HKC400EKAS12	HKC500EKAS12	
Rated input current	100	200	300	400	500	A
Current range	200	400	600	800	1000	A
Rated output voltage					2±1%	V
Supply voltage					12±5%	V
Offset Voltage					2.5±1%	V
Magnetic Offset voltage					≤±20	mV
Offset Voltage drift					≤±1	mV/°C
Linearity					≤±1	%FS
Response Time					≤5	μS
Insulation voltage	50HZ, 1min				2.5	KV
Operating Temperature					-40~+85	°C
Storage Temperature					-40~+105	°C

### MUTING DIMENSIONS



### NOTES

1. When the current will be measured goes through a sensor, the voltage will be measured at the output end. (Note: The false wiring may result in the damage of the sensor).
2. The output amplitude of the sensor can be adjusted according to users' requirements.
3. Custom design in the nominal input current and the output voltage available.