

POWER INDUCTOR FOR DIGITAL AMPLIFIER

HDA1931A SERIES



FEATURES:

- Compact size using flat wire, DIP type
- Low radiation noise by magnetically shielded construction
- Super high current, Low resistance
- The optimal design realizes high quality sound and low distortion
- Wide frequency range: ~1MHz

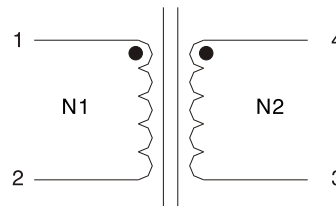
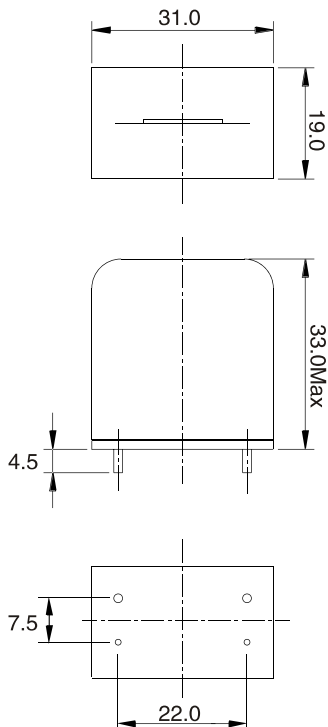
APPLICATIONS:

- Suitable as choke for digital amp
- Car audio
- LCD and PDP TV
- 5.1ch Home theater

ELECTRICAL CHARACTERISTICS:

Part Number	Inductance L uH ± 20%	DCR mΩ ± 15%	Rated current A Max	Allowable current A Max
HDA1931A-100M	10	4.0	50	18
HDA1931A-150M	15	4.5	40	15
HDA1931A-220M	22	5.6	31	12
HDA1931A-330M	33	8.2	25	10

TECHNICAL INFORMATION & PHYSICAL CHARACTERISTICS



Note:

1. Measuring instrument: 3260B+3265B,CH502BC.
2. Electrical specifications at 25°C
3. All products are RoHS-compliant
4. Meets UL 94V-0

All specifications subject to change without notice.