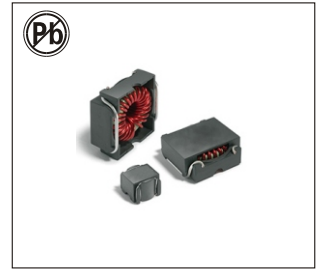


# SMD TOROID POWER INDUCTORS STR SERIES



## FEATURES:

- Toroid winding eliminates stray electromagnetic emissions
- Current ratings up to 8 A
- High current, with ratings up to 12.2 A
- Core material: Powdered iron
- RoHS compliant
- Operating temperature: -40°C to +85°C(Including self temperature rise)

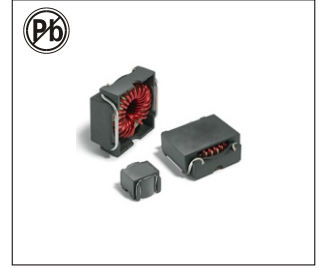
## ELECTRICAL CHARACTERISTICS:@25°C

Part Number	Inductance (uH) ± 20% 100KHz,0.1V	SRF (MHz)typ.	DCR (mΩ).	Isat(A)			Irms(A)	
				10%drop	20%drop	30%drop	20 °C rise	40 °C rise
<b>Standard series</b>								
STR20-1R1M	1.1	130	16.0	3.2	4.8	6.7	4.7	6.1
STR38-3R8M	3.8	61	9.3	4.0	6.1	8.2	6.5	8.5
STR30-5R2M	5.2	47	24.2	2.8	4.2	5.8	4.2	5.7
STR20-7R0M	7.0	37	95.0	1.2	1.8	2.5	1.8	2.2
STR38-7R5M	7.5	50	22.8	2.7	4.2	5.8	4.4	6.5
STR44-7R9M	7.9	26	16.2	3.5	5.4	7.3	5.6	7.5
STR30-120M	12	23.9	54.7	1.9	2.8	3.7	2.5	3.3
STR44-140M	14	15.6	23.6	2.8	4.1	5.7	4.2	5.7
STR50-160M	16	14.3	19.7	2.8	4.2	5.8	5.1	7.1
STR38-220M	22	18.1	63	1.5	2.3	3.1	3.7	3.8
STR20-230M	23	13.5	320	0.6	1.0	1.3	0.71	1.0
STR50-260M	26	11.2	32	2.3	3.4	4.6	4.3	6.0
STR30-350M	35	11.0	166	1.1	1.6	2.2	1.3	1.6
STR44-410M	41	8.3	85	1.6	2.3	3.1	2.3	3.1
STR38-730M	73	10.8	290	0.81	1.3	1.7	1.1	1.5
STR50-730M	73	4.56	133	1.4	2.0	2.7	2.6	3.5
STR30-171M	170	3.84	640	0.44	0.68	0.95	0.7	0.88
STR38-291M	290	2.87	657	0.41	0.64	0.9	0.7	1.0
STR50-561M	560	1.54	550	0.37	0.59	0.81	0.7	0.9
STR38-671M	670	1.38	1200	0.26	0.4	0.55	0.48	0.65
STR44-112M	1100	1.35	1908	0.25	0.41	0.57	0.57	0.63
STR50-202M	2000	1.35	1932	0.18	0.29	0.41	0.56	0.7
<b>High current series</b>								
STR44H-2R8M	2.8	74	4.6	5.8	8.8	12.2	9.7	13.6
STR44H-4R2M	4.2	61	6.6	5.0	7.8	10.9	8.8	11.8
STR50H-6R5M	6.5	27.3	7.2	4.6	6.7	9.1	8.6	11.7
STR50H-8R4M	8.4	22.8	8.5	4.3	6.4	8.5	7.1	9.8
STR68H-110M	11	25.9	8.2	4.8	7.2	9.9	8.3	11.2
STR68H-180M	18	12.0	12.5	3.9	5.7	7.7	6.8	9.2

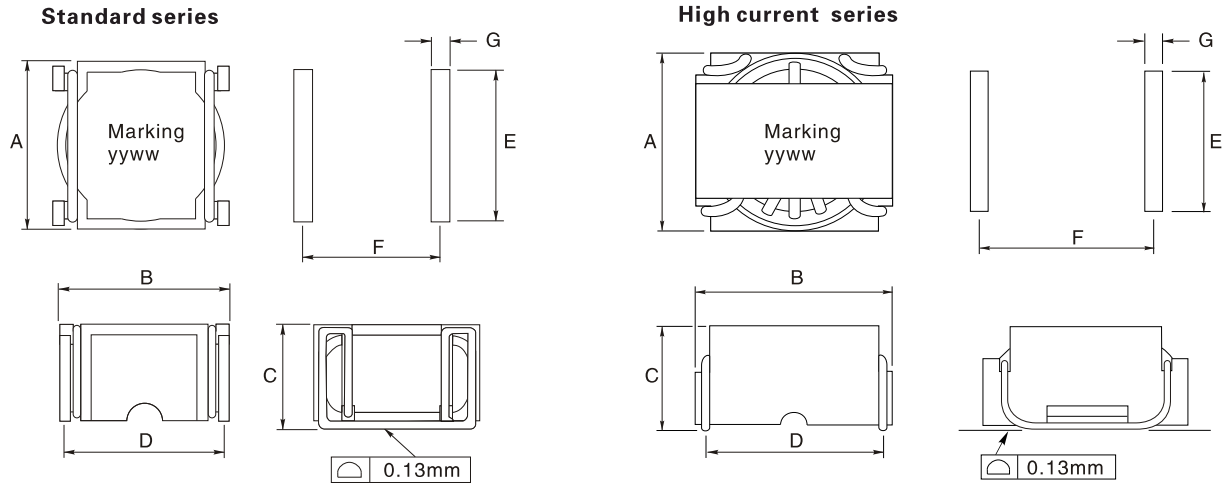
## NOTES:

- Electrical specifications at 25°C
- Inductance tested at 100 kHz, 0.1 Vrms on HP 4192A
- SRF measured on HP 8753ES network analyzer
- Isat: DC current that causes the specified inductance drop from its value without current.
- Irms: Current that causes the specified temperature rise from 25°C ambient
- Ambient temperature -40°C to +85°C
- Maximum part temperature: The part temperature should not exceed +85°C (ambient + self-heating)
- Packaging: -40°C to +80°C

# SMD TOROID POWER INDUCTORS STR SERIES



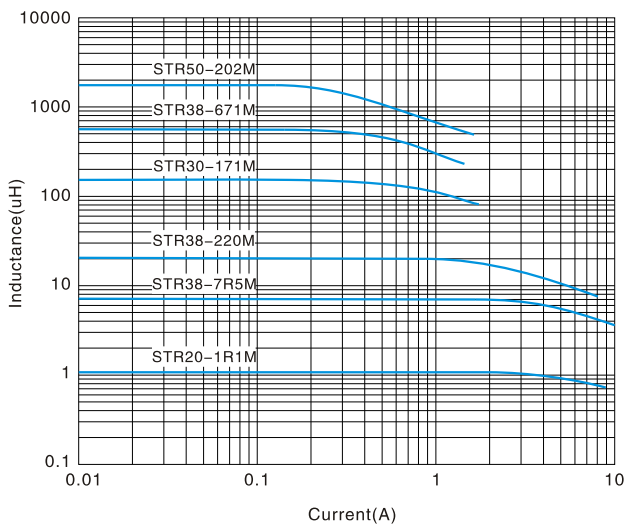
## PHYSICAL CHARACTERISTICS:



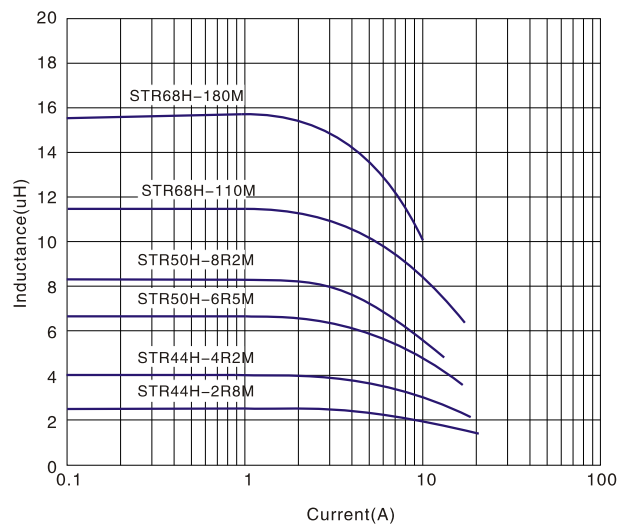
Part No.	A(Max)	B(Max)	C(Max)	D(±0.76)	E(±0.13)	F(±0.13)	G
STR20	8.64	8.64	7.0	6.6	7.62	6.86	1.52
STR30	11.05	11.18	9.5	8.89	10.16	9.14	1.52
STR38	14.22	14.35	9.5	11.43	13.21	11.68	1.52
STR44	15.0	15.62	10.5	12.7	13.97	12.95	1.52
STR50	17.02	17.78	10.5	14.73	15.75	14.99	1.52
STR44H	16.9	16.9	10.5	14.22	12.45	14.5	2.03
STR50H	18.8	18.8	10.5	16.0	14.22	16.26	2.03
STR68H	23.9	23.9	10.5	20.83	17.8	21.08	2.03

## INDUCTANCE VS CURRENT

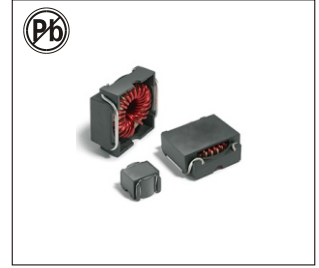
Standard series



High current series



# SMD TOROID POWER INDUCTORS STR SERIES



## TEMPERATURE RISE VS CURRENT:

