

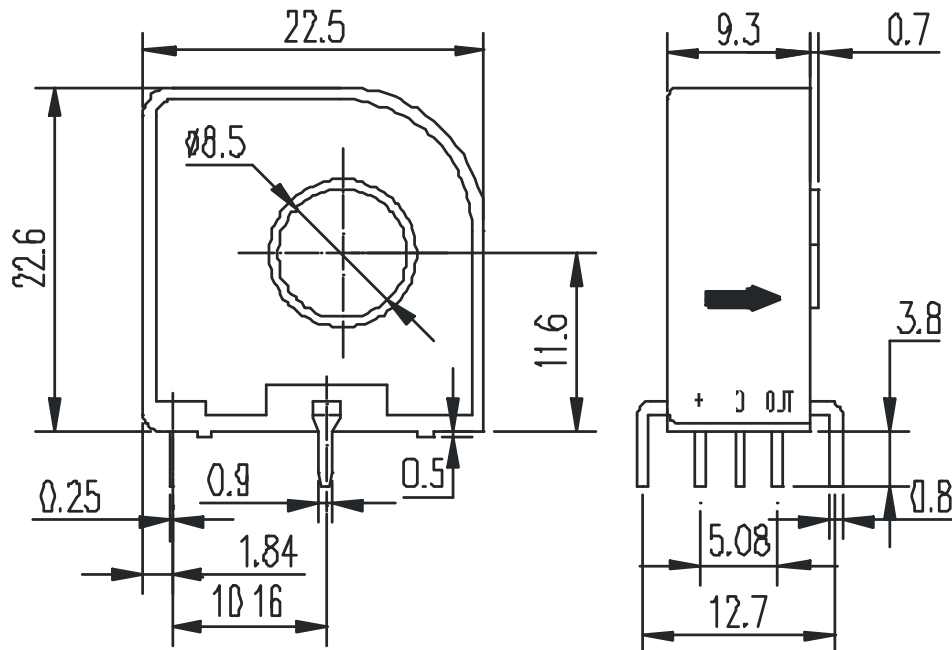
HBC-DPS5 Series Hall Effect Current Sensor

HBC-DPS5 Series current sensor with a galvanic isolation between primary and secondary circuit. It provides accurate electronic measurement of DC, AC or pulsed currents.

ELECTRICAL DATA

	HBC10DPS5	HBC15DPS5	HBC20DPS5	HBC25DPS5	
Rated input current	10	15	20	25	A
Test current range	10	15	20	25	A
Turns ratio	1000	1200	2000	2000	T
Rated output voltage	2±0.5%	2±0.5%	2±0.5%	2±0.5%	V
Supply voltage	+5±5%				V
Offset voltage	2.5±0.5%				V
Offset voltage Drift	-10~+85°C ≤±0.5				mV/°C
	-40~-10°C ≤±0.75				mV/°C
Linearity	≤0.2				%FS
Class	±0.7				%
di/dt	>50				A/μS
Response time	<500				nS
Bandwidth(-1db)	(-1db) DC~200				KHZ
Insulation voltage	2.5KV,50HZ,1min				KV
Operating Temperature	-40~+85				°C
Storage Temperature	-40~+105				°C

MUTING DIMENSIONS(FOR REFERENCE ONLY)



The tolerance: +/-0.2mm