

SCTK662 series retro-fit (split-core) current transformer has been specially designed to facilitate their installation in new or already existing net works. They may be installed without opening any cable or bus-bar circuit. An internal precision resistor across the secondary winding of the CT provides a low safe voltage output. It can save time and the installation costs.

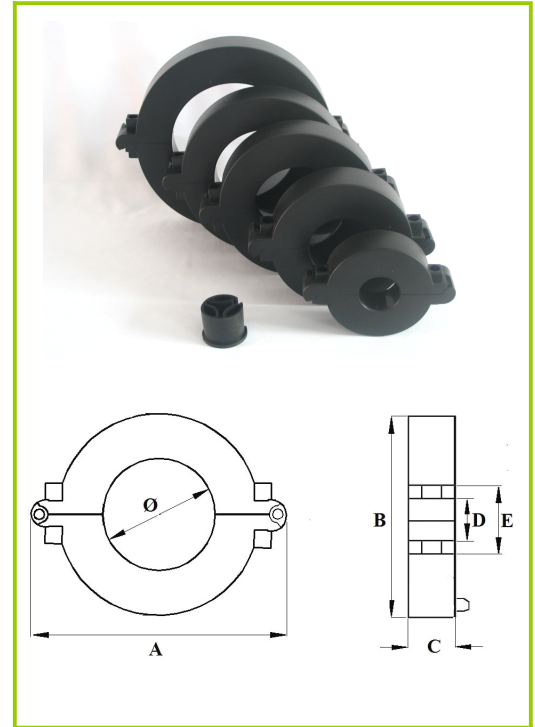
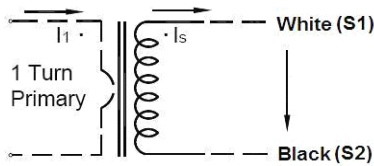
◆ Features

- Epoxy Potting, Double-screw fastening, safe, easy to install, portable
- Wide inner window, allowing clamping of big cables or bus-bars
- Wide range of sizes to accommodate all the existing installations

◆ Applications

- Current measurement, monitoring and protection for electrical wiring and equipment.
- Current and power measurement for electric motors, lighting, air compressor, heating and ventilation system, air-condition equipment and automation – control system.
- Current, power and energy monitoring device.
- Relay protection device.

◆ Circuit connection diagram



◆ Technique Index

Electrical Parameter	
Frequency	50-400Hz
Rated Input	5A-3000A
Measuring range	5%In-130%In
Rated Output	0-10V(AC) or 0-5A
Ratio	$\leq \pm 0.2\%$
Phase angle	$\leq \pm 10\text{min}$
Dielectric strength	2.5KV/1mA/1min
Insulation Resistance	DC500V/100MΩ min

Mechanical Parameter	
Case	PC /UL94-V0
Bobbin	PBT
Core	Silicon steel
Internal structure	Epoxy
Construction	Tie
Operating Temp	$-25^{\circ}\text{C} \sim +75^{\circ}\text{C}$
Operating Humidity	$\leq 85\%$
Output Connection	UL1015 22AWG Wire(twinsted wire) 2.5m

◆ Type Selection (Output: mA/V)

Mfg P/N	Rated Input (A)	Output (mA/V)	Accuracy	Dimensions(mm/inch)					
				Ø	A	B	C	D	E
SCTK662A-025	5-400A (5, 100, 250, 400A)	0-200mA 0-10V	0.2, 0.5, 1.0	25	98	70	22	16	30
				(1.00)	(3.86)	(2.76)	(0.87)	(0.63)	(1.18)
SCTK662B-045	50-1000A (50, 250, 400, 1000A)	0-500mA 0-10V	0.2, 0.5, 1.0	45	128	98	26	16	32
				(1.77)	(5.04)	(3.86)	(1.02)	(0.63)	(1.26)
SCTK662C-065	100-1500A (100, 800, 1000, 1500A)	0-500mA 0-10V	0.2, 0.5, 1.0	65	148	118	26	16	34
				(2.56)	(5.83)	(4.65)	(1.02)	(0.63)	(1.34)
SCTK662D-080	500-2000A (500, 1000, 1500, 2000A)	0-500mA 0-10V	0.2, 0.5, 1.0	80	164	132	28	16	36
				(3.15)	(6.46)	(5.20)	(1.10)	(0.63)	(1.42)
SCTK662E-100	800-3000A (800, 1000, 2500, 3000A)	0-600mA 0-10V	0.2, 0.5, 1.0	100	194	162	30	16	38
				(3.94)	(7.64)	(6.38)	(1.18)	(0.63)	(1.50)