



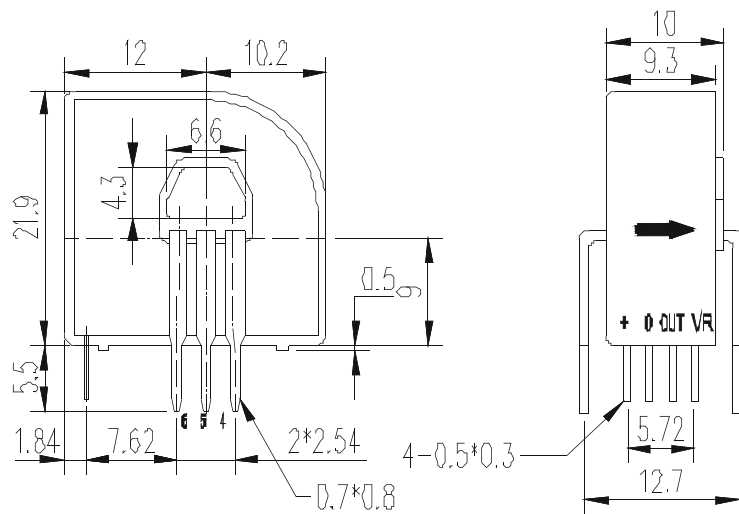
**HBC-DSR5 Series Hall Effect Current Sensor**

HBC-DSR5 Series current sensor with a galvanic isolation between primary and secondary circuit. It provides accurate electronic measurement of DC, AC or pulsed currents.

**ELECTRICAL DATA**

	HBC06DSR5	HBC15DSR5	HBC25DSR5	HBC40DSR5	
Rated input current	6	15	25	40	A
Test current range	19.2	48	80	120	A
Turns ratio	960	1200	2000	2000	T
Rated output voltage	0.625±0.5%	0.625±0.5%	0.625±0.5%	0.625±0.5%	V
Supply voltage	+5±5%				V
Offset voltage	2.5±0.5%				V
Reference voltage (VR)	2.5±0.75%				V
Offset voltage Drift	±0.5@-40~+85°C				mV/°C
Linearity	±0.2				%FS
Class	±0.7				%
di/dt	> 50				A/μS
Response time	< 500				nS
Bandwidth(-1db)	DC~200				KHZ
Insulation voltage	50HZ,1min,2.5				KV
Operating Temperature	-40~+85				°C
Storage Temperature	-40~+105				°C

**MUTING DIMENSIONS(FOR REFERENCE ONLY)**



**THE WIRING DIAGRAM**

Turns	Rated input current(A)	Rated output voltage(V)	Pri DCR[mΩ]	Pri inductance [uH]	Terminal
1	±6(±15, ±25, ±50)	2.5±0.625	0.18	0.013	
2	±3(±7.5, ±12.5, ±25)	2.5±0.625	0.81	0.05	
3	±2(±5, ±8.3, ±16.6)	2.5±0.625	1.62	0.12	