

### HKC-EKASDA Series Hall Effect Current Sensor

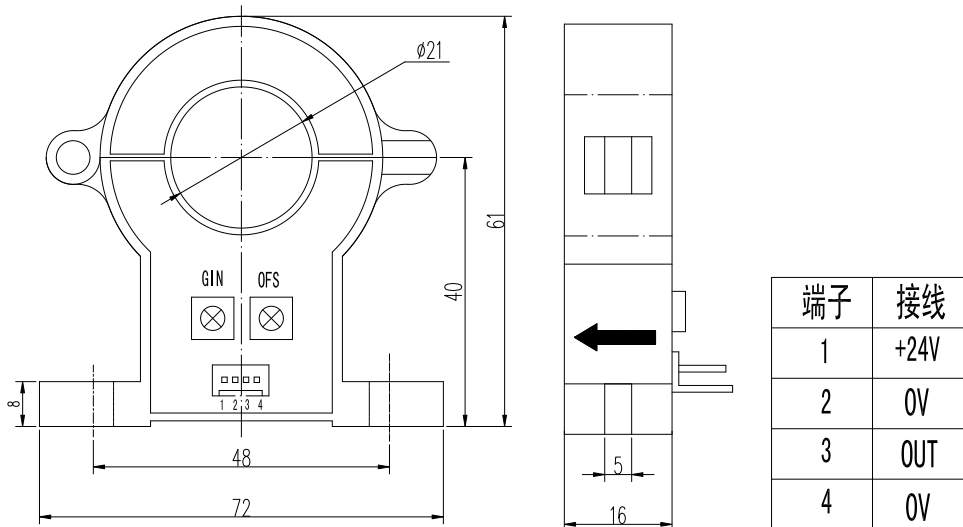
The HKC-EKASDA series current sensor is an open loop device based on the measuring principle of the Hall Effect, with a galvanic isolation between primary and secondary circuit. It provides accurate electronic measurement of DC, AC currents.



#### ELECTRICAL DATA

Rated input current	-20A to +20A(DC)/0A to 20A(AC),50-75Hz	A
Rated output current (DC)	4~20±1%	mA
Supply voltage	+24±5%	V
Consumption incl. current loop	<50	mA
Offset Current	4±1%	mA
Offset Current Drift	≤±0.005	mA/°C
Linearity	≤±1	%FS
Response Time	≤20	mS
bandwidth	20~20000	HZ
Insulation voltage	3KV,1min	KV
Operating Temperature	-20~+70	°C
Storage Temperature	-40~+85	°C

#### MUTING DIMENSIONS(FOR REFERENCE ONLY)



#### 使用说明

1. When the current will be measured goes through a sensor, the voltage will be measured at the output end. (Note: The false wiring may result in the damage of the sensor).
2. The output amplitude of the sensor can be adjusted according to users' requirements.
3. Custom design in the nominal input current and the output voltage available.