

SHAAN XI SHINHOM ENTERPRISE CO.,LTD

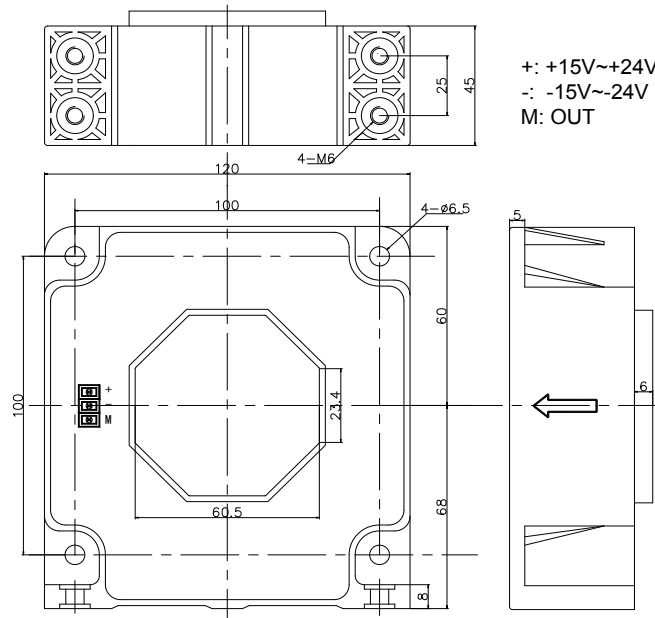
HBC-LSH Hall Effect Current Sensor

HBC-LSH series closed loop current sensor with a galvanic isolation between primary and secondary circuit. It provides accurate electronic measurement of DC, AC or pulsed currents.

ELECTRICAL DATA(25°C)

		HBC2000LSH	
Rated Input current(IP)		20-2000	A
Measure current range		3000	A
Measure resistance	with±15V @±2000Amax	0(min) 5.0(max)	Ω
	@±2500Amax	0(min) 2.0(max)	Ω
	with±24V @±2000Amax	0(min) 25(max)	Ω
	@±3000Amax	0(min) 5.0(max)	Ω
Turns ratio		1:5000	
Rated Output current(IS)		4(20A)-400(2000A)±0.25%	mA
Supply voltage		±15~±24	V
Static current consumption		IS+35	mA
Zero offset current		±0.25	mA
Thermal drift of offset current	-40°C~85°C	±0.5	mA
Response time		<1	μs
Linearity		≤0.1	%FS
Insulation voltage	50HZ, 1min	6	KV
di/dt		>100	A/μs
Band width(-3dB)		DC...100	KHz
Sec coil resistance		28	Ω
Operating temperature		-40~+85	°C
Storage temperature		-40~+125	°C

DIMENSIONS



DIRECTIONS FOR USE

- 1.IS is positive when IP flows in the direction of the arrow.;
- 2.Temperature of the primary conductor should not exceed100°C;

mail: shinhom@globalsources.com