



TERMINAL BASE TYPE TOROIDAL INDUCTORS

ATC/TC SERIES

FEATURES:

- Toroidal-shape core reduces coil roar and magnetic flux leakage

TC Type:

- Compact and high performance
- Fixed terminal allows easy mounting on PC board and excellent vibration resistance

ATC Type:

- Effective for eliminating alternator noise within the 1KHz to 200KHz range

APPLICATIONS:

TC Type:

- For line filters at the inlet and outlet of switching power supplies
- For equipment using thyristors such as SCR and triac
 - Light adjustment
 - Heat adjustment
 - Speed adjustment
- Prevents malfunction

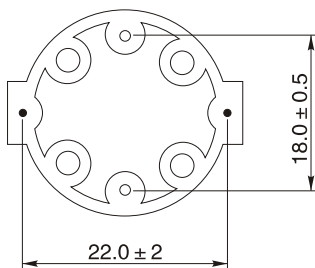
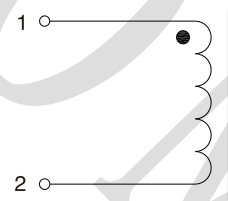
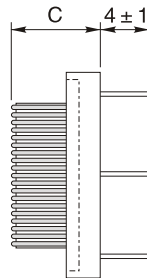
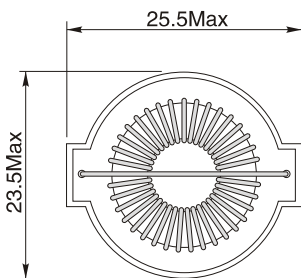
ATC Type:

- Elimination of alternator noise in car audio devices
- Smoothing of switching power supplies
- Normal mode choke(anti-EMI measurement)

ELECTRICAL CHARACTERISTICS:

Part Number	L(uH) 1.0KHz,0.1V	Rated current (A)Max	DCR (Ω)Max	Wire (mm φ)	C (mm)Max
TC10H-01	40 min.	3	0.045	0.8	17.0
TC10H-02	72 min.	3	0.055	0.8	17.0
TC10H-03	110 min.	3	0.068	0.8	17.0
ATC10H-01	300 min.	2	0.1	0.8	21.0
ATC10H-02	330 min.	1.5	0.1	0.8	21.0
ATC10H-03	350 min.	1	0.1	0.8	21.0
ATC10H-04	470 min.	0.5	0.1	0.8	21.0

PHYSICAL CHARACTERISTICS & WINDING



- TC Type: Iron power core
- ATC Type: Amorphous core
- Rated voltage: 50VDC max@40°C
- Inductance Testing: 100KHz 0.1V HP4284A
- RDC: QuadTech 1880 Milli ohmmeter
- Operating Temperature:-25°C to 105°C
- Storage Temperature:-25°C to 105°C

Note:All specifications subject to change without notice.

HIGH TEMPERATURE, HIGH CURRENT TOROID INDUCTORS

TM2100 SERIES

FEATURES:

- Low magnetic radiation
- High current capacity
- Horizontal or vertical mount available
- Low cost
- Operating temperature: -55°C to +200°C

APPLICATIONS:

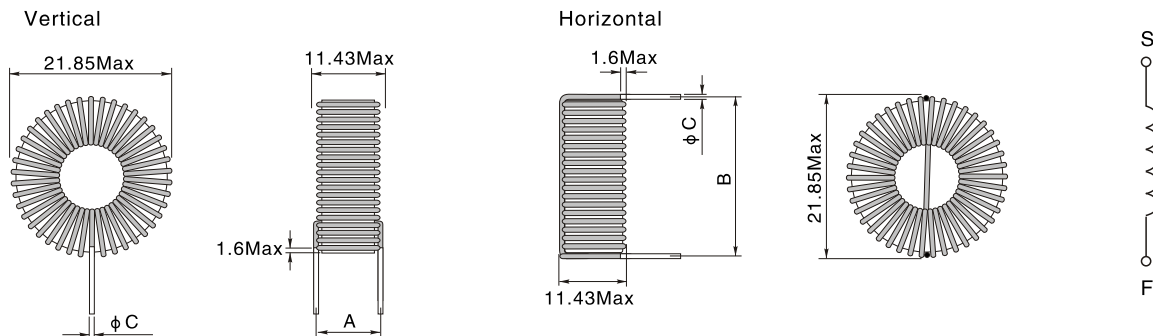
- High operating temperature environments
- DC/DC converter
- Output chokes
- EMI filters



ELECTRICAL CHARACTERISTICS:

Part Number	Inductance L0(μH) ±15% 10KHz,0.1V	Rated current Idc (A)	Inductance LIdc(μH) ±15% 10KHz,0.1V	DCR Max. (Ω)	Dim. (mm) A	Dim. (mm) B	Dim. (mm) C
TM2100V/H-1R0Y	1.0	21.7	0.8	0.003	8.636	19.558	1.346
TM2100V/H-1R5Y	1.5	19.8	1.2	0.003	8.636	19.558	1.346
TM2100V/H-2R2Y	2.2	18.3	1.8	0.004	8.636	19.558	1.346
TM2100V/H-2R7Y	2.7	17.1	2.1	0.004	8.636	19.558	1.346
TM2100V/H-3R3Y	3.3	16.1	2.6	0.005	8.636	19.558	1.346
TM2100V/H-3R9Y	3.9	15.3	3.0	0.005	8.636	19.558	1.346
TM2100V/H-4R7Y	4.7	14.9	3.5	0.006	8.636	19.558	1.346
TM2100V/H-5R6Y	5.6	14.3	4.1	0.006	8.636	19.558	1.346
TM2100V/H-6R8Y	6.8	13.7	4.9	0.006	8.636	19.558	1.346
TM2100V/H-8R2Y	8.2	13.2	5.9	0.007	8.636	19.558	1.346
TM2100V/H-100Y	10	9.9	7.6	0.012	8.382	19.304	1.067
TM2100V/H-120Y	12	9.6	9.0	0.013	8.382	19.304	1.067
TM2100V/H-150Y	15	9.1	11.0	0.014	8.382	19.304	1.067
TM2100V/H-180Y	18	8.6	13.0	0.016	8.382	19.304	1.067
TM2100V/H-220Y	22	6.7	16.6	0.026	8.128	19.05	0.864
TM2100V/H-270Y	27	6.4	20.1	0.028	8.128	19.05	0.864
TM2100V/H-330Y	33	6.1	24.0	0.031	8.89	20.066	0.864
TM2100V/H-390Y	39	5.9	28.0	0.033	8.89	20.066	0.864
TM2100V/H-470Y	47	5.6	33.1	0.036	8.89	20.066	0.864
TM2100V/H-560Y	56	5.3	38.5	0.040	8.89	20.066	0.864
TM2100V/H-680Y	68	5.1	46.0	0.044	8.89	20.066	0.864
TM2100V/H-820Y	82	4.8	54.0	0.049	8.89	20.066	0.864
TM2100V/H-101Y	100	4.6	64.5	0.053	8.89	20.066	0.864
TM2100V/H-121Y	120	3.5	84.4	0.094	8.636	19.558	0.686
TM2100V/H-151Y	150	3.3	102.8	0.11	8.636	19.558	0.686
TM2100V/H-181Y	180	3.1	120.7	0.12	8.636	19.558	0.686
TM2100V/H-221Y	220	3.0	144.2	0.13	8.89	20.066	0.686
TM2100V/H-271Y	270	2.8	172.6	0.14	8.89	20.066	0.686
TM2100V/H-331Y	330	2.7	206.0	0.16	8.89	20.066	0.686
TM2100V/H-391Y	390	2.1	266.7	0.27	8.382	19.304	0.559
TM2100V/H-471Y	470	2.0	314.4	0.29	8.89	20.066	0.559
TM2100V/H-561Y	560	1.9	366.9	0.32	8.89	20.066	0.559
TM2100V/H-681Y	680	1.8	435.1	0.35	8.89	20.066	0.559
TM2100V/H-821Y	820	1.7	512.0	0.39	9.398	20.574	0.559
TM2100V/H-102Y	1000	1.6	608.2	0.43	9.398	20.574	0.559

PHYSICAL CHARACTERISTICS: WINDING:



HIGH TEMPERATURE, HIGH CURRENT TOROID INDUCTORS

TM2200 SERIES

FEATURES:

- Low magnetic radiation
- High current capacity
- Horizontal or vertical mount available
- Low cost
- Operating temperature: -55°C to +200°C

APPLICATIONS:

- High operating temperature environments
- DC/DC converter
- Output chokes
- EMI filters

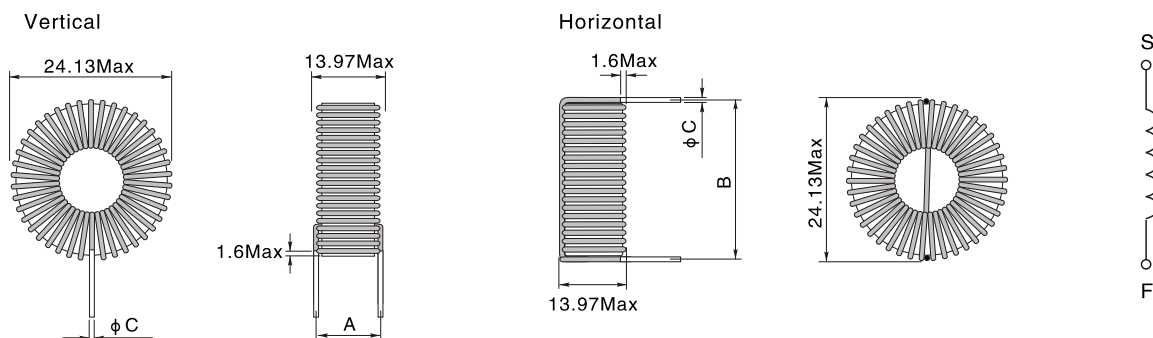


ELECTRICAL CHARACTERISTICS:

Part Number	Inductance L0(μH) ±15% 10KHz,0.1V	Rated current Idc (A)	Inductance Lidc(μH) ±15% 10KHz,0.1V	DCR Max. (Ω).	Dim. (mm) A	Dim. (mm) B	Dim. (mm) C
TM2200V/H-1R2Y	1.2	23.8	1.0	0.003	11.684	22.352	1.346
TM2200V/H-1R8Y	1.8	21.8	1.5	0.004	11.684	22.352	1.346
TM2200V/H-2R2Y	2.2	20.1	1.8	0.005	11.684	22.352	1.346
TM2200V/H-3R3Y	3.3	18.8	2.7	0.005	11.684	22.352	1.346
TM2200V/H-3R9Y	3.9	17.8	3.1	0.006	11.684	22.352	1.346
TM2200V/H-4R7Y	4.7	16.9	3.7	0.006	11.684	22.352	1.346
TM2200V/H-5R6Y	5.6	16.1	4.4	0.007	11.684	22.352	1.346
TM2200V/H-6R8Y	6.8	15.7	5.2	0.007	11.684	22.352	1.346
TM2200V/H-8R2Y	8.2	15.1	6.2	0.008	11.684	22.352	1.346
TM2200V/H-100Y	10	11.2	7.9	0.014	11.684	22.352	1.346
TM2200V/H-120Y	12	10.9	9.4	0.015	11.684	22.352	1.346
TM2200V/H-150Y	15	10.3	11.5	0.017	11.684	22.352	1.346
TM2200V/H-180Y	18	9.7	13.6	0.018	11.684	22.352	1.346
TM2200V/H-220Y	22	9.3	16.3	0.020	11.43	22.1	1.067
TM2200V/H-270Y	27	8.9	19.7	0.022	11.43	22.1	1.067
TM2200V/H-330Y	33	8.4	23.5	0.025	11.43	22.1	1.067
TM2200V/H-390Y	39	8.1	27.4	0.026	11.43	22.1	1.067
TM2200V/H-470Y	47	6.4	34.9	0.042	11.18	21.844	0.864
TM2200V/H-560Y	56	6.1	40.9	0.046	11.18	21.844	0.864
TM2200V/H-680Y	68	5.8	48.8	0.050	11.18	21.844	0.864
TM2200V/H-820Y	82	5.6	57.6	0.055	12.2	22.86	0.864
TM2200V/H-101Y	100	5.3	68.9	0.061	12.2	22.86	0.864
TM2200V/H-121Y	120	5.0	80.8	0.067	12.2	22.86	0.864
TM2200V/H-151Y	150	4.8	98.4	0.075	12.2	22.86	0.864
TM2200V/H-181Y	180	4.6	115.6	0.082	12.2	22.86	0.864
TM2200V/H-221Y	220	4.3	137.5	0.091	12.2	22.86	0.864
TM2200V/H-271Y	270	3.3	184.8	0.16	11.684	22.352	0.686
TM2200V/H-331Y	330	3.1	220.7	0.18	11.684	22.352	0.686
TM2200V/H-391Y	390	3.0	255.2	0.19	11.684	22.352	0.686
TM2200V/H-471Y	470	2.8	300.5	0.21	12.446	23.114	0.686
TM2200V/H-561Y	560	2.7	350.3	0.23	12.446	23.114	0.686
TM2200V/H-681Y	680	2.6	414.8	0.27	12.446	23.114	0.686
TM2200V/H-821Y	820	2.0	548.5	0.44	12.446	23.114	0.559
TM2200V/H-102Y	1000	1.9	653.1	0.49	12.446	23.114	0.559

PHYSICAL CHARACTERISTICS:

WINDING:



HIGH TEMPERATURE, HIGH CURRENT TOROID INDUCTORS

TM2300 SERIES

FEATURES:

- Low magnetic radiation
- High current capacity
- Horizontal or vertical mount available
- Low cost
- Operating temperature: -55°C to +200°C

APPLICATIONS:

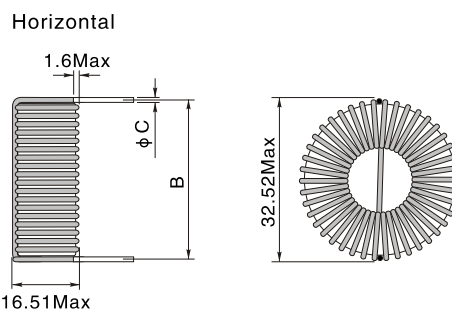
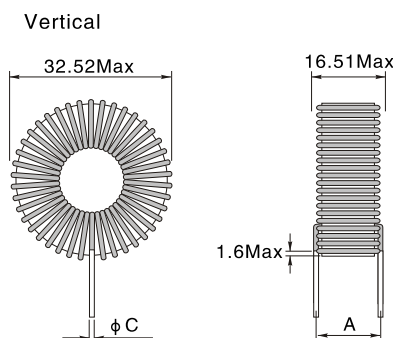
- High operating temperature environments
- DC/DC converter
- Output chokes
- EMI filters



ELECTRICAL CHARACTERISTICS:

Part Number	Inductance L0(μH) ±15% 10KHz,0.1V	Rated current Idc (A)	Inductance Lidc(μH) ±15% 10KHz,0.1V	DCR Max. (Ω).	Dim. (mm) A	Dim. (mm) B	Dim. (mm) C
TM2300V/H-1R2Y	1.2	38.7	1.0	0.002	14.224	29.97	1.68
TM2300V/H-1R8Y	1.8	34.6	1.5	0.003	14.224	29.97	1.68
TM2300V/H-2R7Y	2.7	31.6	2.2	0.003	14.224	29.97	1.68
TM2300V/H-3R9Y	3.9	29.2	3.1	0.004	14.224	29.97	1.68
TM2300V/H-4R7Y	4.7	27.3	3.7	0.004	14.224	29.97	1.68
TM2300V/H-5R6Y	5.6	25.8	4.3	0.005	14.224	29.97	1.68
TM2300V/H-6R8Y	6.8	24.5	5.1	0.005	14.224	29.97	1.68
TM2300V/H-8R2Y	8.2	24.3	6.0	0.005	14.224	29.97	1.68
TM2300V/H-100Y	10	23.3	7.2	0.006	14.224	29.97	1.68
TM2300V/H-120Y	12	22.4	8.5	0.006	14.224	29.97	1.68
TM2300V/H-150Y	15	20.8	10.3	0.007	14.224	29.97	1.68
TM2300V/H-180Y	18	20.2	12.2	0.007	14.224	29.97	1.68
TM2300V/H-220Y	22	19.0	14.5	0.008	14.224	29.97	1.68
TM2300V/H-270Y	27	14.3	19.2	0.014	13.462	28.96	1.35
TM2300V/H-330Y	33	13.6	23.0	0.015	13.462	28.96	1.35
TM2300V/H-390Y	39	13.0	26.7	0.017	13.462	28.96	1.35
TM2300V/H-470Y	47	10.0	34.7	0.028	13.208	28.7	1.067
TM2300V/H-560Y	56	9.7	40.8	0.030	13.208	28.7	1.067
TM2300V/H-680Y	68	9.2	48.5	0.034	13.208	28.7	1.067
TM2300V/H-750Y	75	9.0	52.6	0.036	13.208	28.7	1.067
TM2300V/H-820Y	82	8.8	57.4	0.037	13.208	28.7	1.067
TM2300V/H-101Y	100	8.3	68.3	0.041	14.224	29.72	1.067
TM2300V/H-121Y	120	8.0	80.5	0.045	14.224	29.72	1.067
TM2300V/H-151Y	150	7.5	97.9	0.050	14.224	29.72	1.067
TM2300V/H-181Y	180	7.2	114.5	0.055	14.224	29.72	1.067
TM2300V/H-221Y	220	6.8	136.6	0.061	14.224	29.72	1.067
TM2300V/H-271Y	270	6.5	163.2	0.067	14.224	29.72	1.067
TM2300V/H-331Y	330	4.9	218.3	0.10	13.716	29.47	0.94
TM2300V/H-391Y	390	4.7	252.8	0.13	13.716	29.47	0.94
TM2300V/H-471Y	470	4.5	297.9	0.14	13.716	29.47	0.94
TM2300V/H-561Y	560	3.4	389.1	0.24	13.462	28.96	0.686
TM2300V/H-681Y	680	3.2	461.4	0.27	13.462	28.96	0.686
TM2300V/H-821Y	820	3.1	545.2	0.30	13.462	28.96	0.686
TM2300V/H-102Y	1000	2.9	648.2	0.33	14.732	29.72	0.686

PHYSICAL CHARACTERISTICS:



WINDING:

HIGH CURRENT TOROID INDUCTORS

TR2000 SERIES



FEATURES:

- Low radiation
- Low core loss
- High operation frequency
- High current capacity
- Low core saturation
- Horizontal or vertical mount
- Operating temperature: -55°C to +105°C

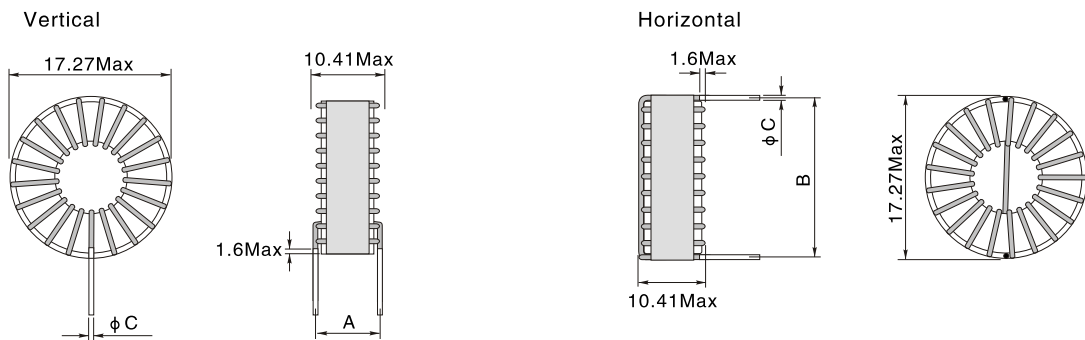
APPLICATIONS:

- High current, low voltage converters
- High-speed computers
- Output chokes
- Video game machines
- EMI Filters

ELECTRICAL CHARACTERISTICS:

Part Number	Inductance L0(μH) ±20% 10KHz,0.1V	Rated current Idc (A)	Inductance L1dc(μH) ±20% 10KHz,0.1V	DCR Max. (Ω)	Dim. (mm) A	Dim. (mm) B	Dim. (mm) C
TR2000V/H-1R2M	1.2	20.2	0.86	0.0022	8.89	15.24	1.5
TR2000V/H-3R3M	3.3	11.1	2.5	0.0067	8.38	14.73	1.067
TR2000V/H-3R9M	3.9	10.5	3.0	0.0074	8.38	14.73	1.067
TR2000V/H-4R7M	4.7	10.1	3.5	0.0077	8.38	14.73	1.067
TR2000V/H-5R6M	5.6	9.7	4.0	0.0084	8.38	14.73	1.067
TR2000V/H-6R8M	6.8	7.2	5.7	0.013	7.87	14.22	0.864
TR2000V/H-8R2M	8.2	7.0	6.4	0.014	7.87	14.22	0.864
TR2000V/H-100M	10	6.6	7.9	0.015	7.87	14.22	0.864
TR2000V/H-120M	12	6.4	8.7	0.016	7.87	14.22	0.864
TR2000V/H-150M	15	4.7	12.4	0.029	7.37	13.46	0.686
TR2000V/H-180M	18	4.5	14.5	0.032	7.37	13.46	0.686
TR2000V/H-220M	22	4.3	16.7	0.035	7.37	13.46	0.686
TR2000V/H-270M	27	4.1	20.4	0.039	7.37	13.46	0.686
TR2000V/H-330M	33	3.5	25.4	0.054	7.37	13.46	0.686
TR2000V/H-390M	39	3.3	29.9	0.059	7.37	13.46	0.686
TR2000V/H-470M	47	3.2	34.6	0.064	7.37	13.46	0.686

PHYSICAL CHARACTERISTICS: WINDING:



Winding



Notes:

- Rated Current is based on an I_{rms} temperature rise of 20 °C
- Inductance Test Conditions: 0.1V, 10KHz
- Rated current to cause 40 °C temperature rise
- Operating Temperature: -55 °C to +105 °C (Temperature rise included)

HIGH CURRENT TOROID INDUCTORS

TR2100 SERIES



FEATURES:

- Low radiation
- Low core loss
- High operation frequency
- High current capacity
- Low core saturation
- Horizontal or vertical mount
- Operating temperature: -55°C to +105°C

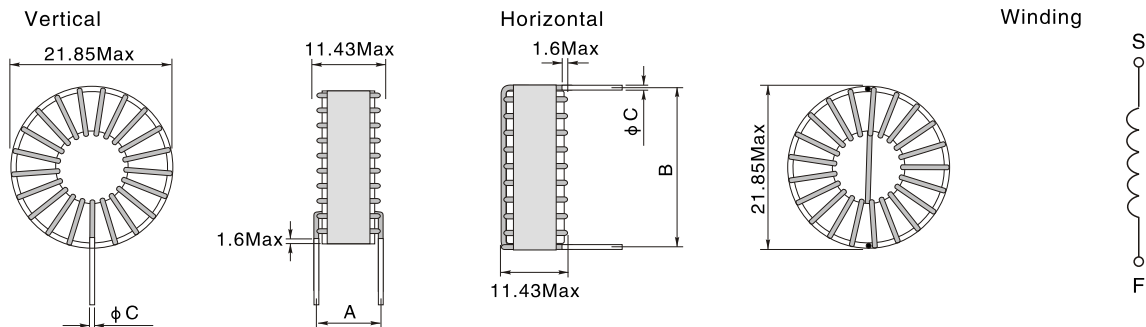
APPLICATIONS:

- High current, low voltage converters
- High-speed computers
- Output chokes
- Video game machines
- EMI Filters

ELECTRICAL CHARACTERISTICS:

Part Number	Inductance L0(μH) ±15% 10KHz,0.1V	Rated current Idc (A)	Inductance Lidc(μH) ±15% 10KHz,0.1V	DCR Max. (Ω)	Dim. (mm) A	Dim. (mm) B	Dim. (mm) C
TR2100V/H-100Y	10	10.8	6.3	0.006	8.64	19.56	1.35
TR2100V/H-120Y	12	10.3	7.4	0.007	8.64	19.56	1.35
TR2100V/H-150Y	15	7.7	10.2	0.012	8.38	19.3	1.067
TR2100V/H-180Y	18	7.4	11.9	0.013	8.38	19.3	1.067
TR2100V/H-220Y	22	7.0	14.2	0.015	8.38	19.3	1.067
TR2100V/H-270Y	27	5.3	19.1	0.026	8.13	19.05	0.864
TR2100V/H-330Y	33	5.0	22.8	0.029	8.13	19.05	0.864
TR2100V/H-390Y	39	4.8	26.4	0.032	8.13	19.05	0.864
TR2100V/H-470Y	47	3.6	34.7	0.055	7.87	19.05	0.686
TR2100V/H-560Y	56	3.4	40.6	0.060	7.87	19.05	0.686
TR2100V/H-680Y	68	3.3	48.3	0.067	7.87	19.05	0.686
TR2100V/H-101Y	100	2.4	75.2	0.13	7.87	18.8	0.56
TR2100V/H-121Y	120	2.2	88.5	0.15	7.87	18.8	0.56
TR2100V/H-151Y	150	3.4	84.3	0.062	8.89	20.07	0.864
TR2100V/H-181Y	180	2.6	113.1	0.11	8.64	19.56	0.686
TR2100V/H-221Y	220	2.4	134.4	0.12	8.64	19.56	0.686
TR2100V/H-271Y	270	1.8	181.6	0.21	8.38	19.3	0.56
TR2100V/H-331Y	330	1.7	216.3	0.23	8.38	19.3	0.56
TR2100V/H-391Y	390	1.7	250.1	0.25	8.38	19.3	0.56
TR2100V/H-471Y	470	1.6	293.8	0.28	8.89	19.3	0.56
TR2100V/H-561Y	560	1.5	341.5	0.30	8.89	20.07	0.56
TR2100V/H-681Y	680	1.4	403.2	0.33	8.89	20.07	0.56
TR2100V/H-821Y	820	1.4	472.8	0.37	8.89	20.07	0.56
TR2100V/H-102Y	1000	1.3	559.2	0.40	9.40	20.57	0.56

PHYSICAL CHARACTERISTICS: WINDING:



Notes:

- Rated Current is based on an Irms temperature rise of 20 °C
- Inductance Test Conditions: 0.1V, 10KHz
- Rated current to cause 30 °C temperature rise
- Operating Temperature: -55 °C to +105 °C (Temperature rise included)

HIGH CURRENT TOROID INDUCTORS

TR2200 SERIES



FEATURES:

- Low radiation
- Low core loss
- High operation frequency
- High current capacity
- Low core saturation
- Horizontal or vertical mount
- Operating temperature: -55°C to +105°C

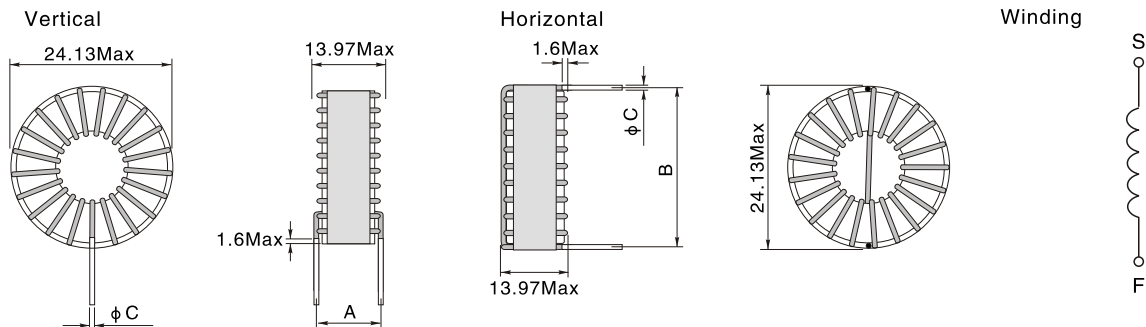
APPLICATIONS:

- High current, low voltage converters
- High-speed computers
- Output chokes
- Video game machines
- EMI Filters

ELECTRICAL CHARACTERISTICS:

Part Number	Inductance L0(μH) ±15% 10KHz,0.1V	Rated current Idc (A)	Inductance Lidc(μH) ±15% 10KHz,0.1V	DCR Max. (Ω)	Dim. (mm) A	Dim. (mm) B	Dim. (mm) C
TR2200V/H-100Y	10	12.5	6.7	0.007	11.684	22.35	1.35
TR2200V/H-120Y	12	12.0	7.9	0.008	11.684	22.35	1.35
TR2200V/H-150Y	15	11.3	9.6	0.008	11.684	22.35	1.35
TR2200V/H-180Y	18	10.8	11.3	0.009	11.684	22.35	1.35
TR2200V/H-220Y	22	10.3	13.4	0.010	11.684	22.35	1.35
TR2200V/H-270Y	27	9.8	16.0	0.011	11.684	22.35	1.35
TR2200V/H-330Y	33	7.4	21.6	0.020	11.43	22.1	1.067
TR2200V/H-390Y	39	7.1	25.0	0.022	11.43	22.1	1.067
TR2200V/H-470Y	47	6.7	29.3	0.024	11.43	22.1	1.067
TR2200V/H-560Y	56	6.4	34.1	0.026	11.43	22.1	1.067
TR2200V/H-680Y	68	4.9	45.7	0.046	11.176	21.844	0.86
TR2200V/H-101Y	100	4.4	64.0	0.056	11.176	21.844	0.86
TR2200V/H-121Y	120	3.3	84.4	0.098	11.176	21.844	0.686
TR2200V/H-151Y	150	3.1	102.7	0.11	11.176	21.844	0.686
TR2200V/H-181Y	180	3.8	105.9	0.075	12.192	22.86	0.86
TR2200V/H-221Y	220	3.6	125.6	0.083	12.192	22.86	0.86
TR2200V/H-271Y	270	3.4	149.4	0.092	12.192	22.86	0.86
TR2200V/H-331Y	330	3.3	176.8	0.10	12.192	22.86	0.86
TR2200V/H-391Y	390	2.5	235.3	0.18	11.684	22.35	0.686
TR2200V/H-471Y	470	2.3	275.9	0.19	11.684	22.35	0.686
TR2200V/H-561Y	560	2.2	320.1	0.21	11.684	22.35	0.686
TR2200V/H-681Y	680	2.1	377.2	0.23	12.446	23.1	0.686
TR2200V/H-821Y	820	2.0	441.5	0.26	12.446	23.1	0.686
TR2200V/H-102Y	1000	1.9	521.3	0.28	12.446	23.1	0.686

PHYSICAL CHARACTERISTICS: WINDING:



Notes:

- Rated Current is based on an Irms temperature rise of 20 °C
- Inductance Test Conditions: 0.1V, 10KHz
- Rated current to cause 30 °C temperature rise
- Operating Temperature: -55 °C to +105 °C (Temperature rise included)

HIGH CURRENT TOROID INDUCTORS

TR2300 SERIES



FEATURES:

- Low radiation
- Low core loss
- High operation frequency
- High current capacity
- Low core saturation
- Horizontal or vertical mount
- Operating temperature: -55°C to +105°C

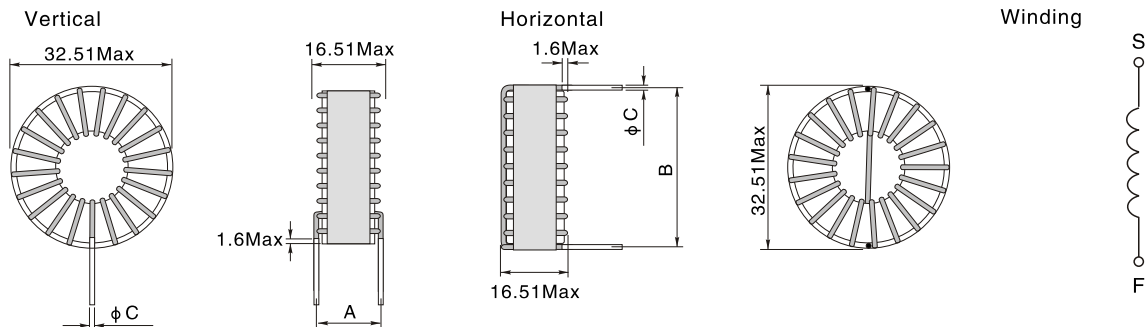
APPLICATIONS:

- High current, low voltage converters
- High-speed computers
- Output chokes
- Video game machines
- EMI Filters

ELECTRICAL CHARACTERISTICS:

Part Number	Inductance L0(μH) ±15% 10KHz,0.1V	Rated current Idc (A)	Inductance Lidc(μH) ±15% 10KHz,0.1V	DCR Max. (Ω)	Dim. (mm) A	Dim. (mm) B	Dim. (mm) C
TR2300V/H-100Y	10	20.0	6.7	0.005	14.224	29.97	1.676
TR2300V/H-120Y	12	19.1	7.8	0.005	14.224	29.97	1.676
TR2300V/H-150Y	15	18.0	9.5	0.006	14.224	29.97	1.676
TR2300V/H-180Y	18	17.2	11.1	0.006	14.224	29.97	1.676
TR2300V/H-220Y	22	16.4	13.2	0.007	14.224	29.97	1.676
TR2300V/H-270Y	27	15.6	15.7	0.008	14.224	29.97	1.676
TR2300V/H-330Y	33	11.7	21.3	0.013	13.462	28.96	1.346
TR2300V/H-390Y	39	11.2	24.7	0.014	13.462	28.96	1.346
TR2300V/H-470Y	47	10.7	29.0	0.016	13.462	28.96	1.346
TR2300V/H-560Y	56	10.2	33.7	0.017	13.462	28.96	1.346
TR2300V/H-680Y	68	7.7	45.2	0.03	13.21	28.7	1.067
TR2300V/H-101Y	100	7.0	63.1	0.037	13.21	28.7	1.067
TR2300V/H-121Y	120	6.7	73.9	0.04	13.21	28.7	1.067
TR2300V/H-151Y	150	5.0	101.4	0.071	12.95	28.45	0.864
TR2300V/H-181Y	180	4.8	118.9	0.078	12.95	28.45	0.864
TR2300V/H-221Y	220	5.8	123.8	0.054	14.224	29.72	1.067
TR2300V/H-271Y	270	5.5	147.2	0.06	14.224	29.72	1.067
TR2300V/H-331Y	330	5.2	174.1	0.067	14.224	29.72	1.067
TR2300V/H-391Y	390	5.0	200.2	0.072	14.224	29.72	1.067
TR2300V/H-471Y	470	3.8	271.4	0.13	13.72	29.46	0.864
TR2300V/H-561Y	560	3.6	314.8	0.14	13.72	29.46	0.864
TR2300V/H-681Y	680	3.4	370.7	0.15	13.72	29.46	0.864
TR2300V/H-821Y	820	2.6	500.9	0.27	13.46	28.96	0.686
TR2300V/H-102Y	1000	2.4	593.6	0.3	13.46	28.96	0.686

PHYSICAL CHARACTERISTICS: WINDING:



Notes:

- Rated Current is based on an Irms temperature rise of 20 °C
- Inductance Test Conditions: 0.1V, 10KHz
- Rated current to cause 30 °C temperature rise
- Operating Temperature: -55 °C to +105 °C (Temperature rise included)

HIGH TEMPERATURE, HIGH CURRENT TOROID INDUCTORS

TS2100 SERIES

FEATURES:

- Low core loss
- Low magnetic radiation
- High current capacity
- Horizontal or vertical mount available
- Operating temperature: -55°C to +125°C

APPLICATIONS:

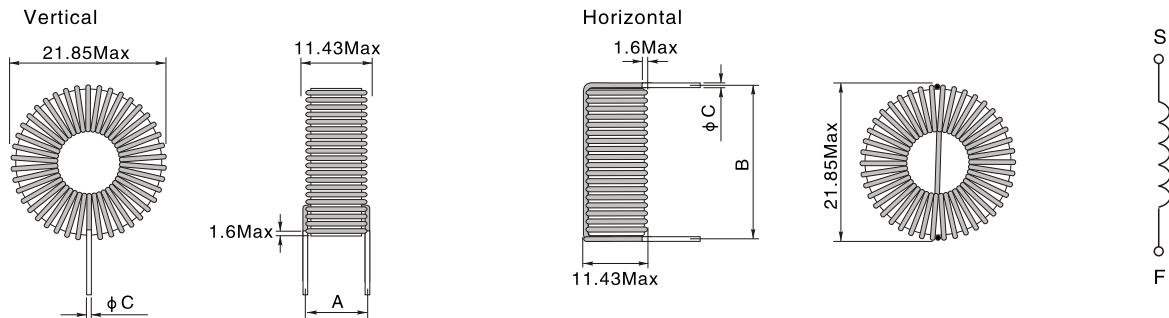
- Switch mode power supplies
- DC/DC converter
- Output chokes
- EMI filters



ELECTRICAL CHARACTERISTICS:

Part Number	Inductance L0(μH) 10KHz,0.1V	Rated current Idc (A)	Inductance Ldc(μH) 10KHz,0.1V	DCR Max. (Ω)	Dim. (mm) A	Dim. (mm) B	Dim. (mm) C
TS2100V/H-1R0Y	1.0	21.4	0.8	0.002	9.4	20.32	1.35
TS2100V/H-1R5Y	1.5	18.5	1.1	0.003	9.4	20.32	1.35
TS2100V/H-2R2Y	2.2	16.5	1.5	0.003	9.4	20.32	1.35
TS2100V/H-3R3Y	3.3	15.1	2.1	0.003	9.4	20.32	1.35
TS2100V/H-4R7Y	4.7	14.0	2.9	0.003	9.4	20.32	1.35
TS2100V/H-5R6Y	5.6	13.1	3.3	0.004	9.4	20.32	1.35
TS2100V/H-6R8Y	6.8	12.3	3.9	0.004	9.4	20.32	1.35
TS2100V/H-8R2Y	8.2	11.7	4.5	0.005	9.4	20.32	1.35
TS2100V/H-100Y	10	11.4	5.2	0.005	9.4	20.32	1.35
TS2100V/H-120Y	12	10.9	6.1	0.006	9.4	20.32	1.35
TS2100V/H-150Y	15	10.5	7.3	0.006	9.4	20.32	1.35
TS2100V/H-180Y	18	10.1	8.5	0.007	9.4	20.32	1.35
TS2100V/H-220Y	22	7.5	11.8	0.012	8.89	19.81	1.067
TS2100V/H-270Y	27	7.3	14.2	0.012	8.89	19.81	1.067
TS2100V/H-330Y	33	6.9	16.6	0.014	8.89	19.81	1.067
TS2100V/H-390Y	39	6.6	18.8	0.015	8.89	19.81	1.067
TS2100V/H-470Y	47	5.2	25.3	0.024	8.38	19.3	0.86
TS2100V/H-560Y	56	5.0	29.3	0.026	8.38	19.3	0.86
TS2100V/H-680Y	68	4.7	34.0	0.03	10.16	19.3	0.86
TS2100V/H-820Y	82	4.6	39.9	0.032	10.16	19.3	0.86
TS2100V/H-101Y	100	4.3	46.2	0.036	10.16	19.3	0.86
TS2100V/H-121Y	120	4.1	53.5	0.039	10.16	19.3	0.86
TS2100V/H-151Y	150	3.9	63.8	0.043	10.16	19.3	0.86
TS2100V/H-181Y	180	3.7	73.3	0.048	10.16	19.3	0.86
TS2100V/H-221Y	220	3.5	85.1	0.053	10.16	19.3	0.86
TS2100V/H-271Y	270	2.7	124.2	0.093	9.4	18.8	0.686
TS2100V/H-331Y	330	2.5	145.1	0.103	9.4	18.8	0.686
TS2100V/H-391Y	390	2.4	165.4	0.112	9.4	18.8	0.686
TS2100V/H-471Y	470	2.3	190.1	0.124	9.65	19.3	0.686
TS2100V/H-561Y	560	2.2	217.9	0.134	9.65	19.3	0.686
TS2100V/H-681Y	680	2.1	251.9	0.147	9.65	19.3	0.686
TS2100V/H-821Y	820	1.6	361.6	0.257	9.4	19.05	0.56
TS2100V/H-102Y	1000	1.5	421.5	0.284	9.4	19.05	0.56

PHYSICAL CHARACTERISTICS: WINDING:



- Rated Current is based on an Irms temperature rise of 20 °C
- Inductance tolerance: 1.0-8.2uH ± 20%, 10-1000uH ± 15%
- Rated current to cause 30 °C temperature rise

HIGH TEMPERATURE, HIGH CURRENT TOROID INDUCTORS

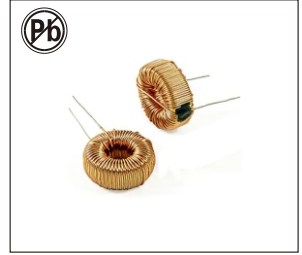
TS2200 SERIES

FEATURES:

- Low core loss
- Low magnetic radiation
- High current capacity
- Horizontal or vertical mount available
- Operating temperature: -55°C to +125°C

APPLICATIONS:

- Switch mode power supplies
- DC/DC converter
- Output chokes
- EMI filters

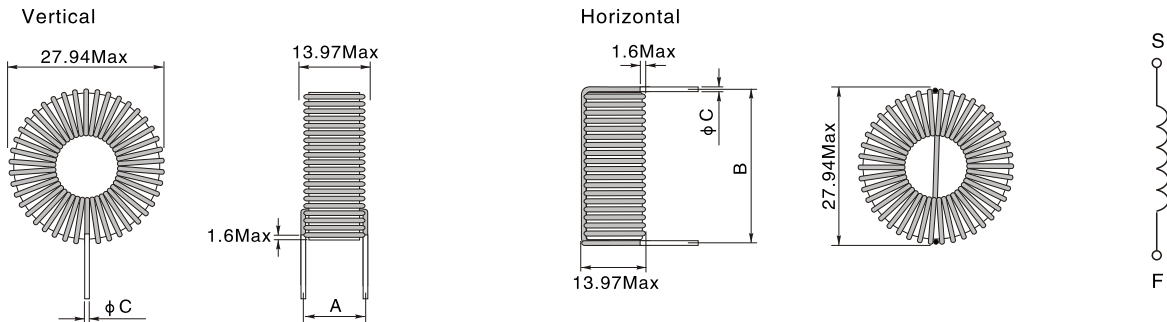


ELECTRICAL CHARACTERISTICS:

Part Number	Inductance L0(μH) 10KHz,0.1V	Rated current Idc (A)	Inductance L1dc(μH) 10KHz,0.1V	DCR Max. (Ω).	Dim. (mm) A	Dim. (mm) B	Dim. (mm) C
TS2200V/H-1R0Y	1.0	26.1	0.8	0.002	11.94	26.67	1.35
TS2200V/H-1R8Y	1.8	22.6	1.4	0.002	11.94	26.67	1.35
TS2200V/H-2R7Y	2.7	20.3	1.9	0.003	11.94	26.67	1.35
TS2200V/H-3R9Y	3.9	18.5	2.7	0.004	11.94	26.67	1.35
TS2200V/H-4R7Y	4.7	17.1	3.1	0.004	11.94	26.67	1.35
TS2200V/H-6R8Y	6.8	16.0	4.4	0.005	11.94	26.67	1.35
TS2200V/H-8R2Y	8.2	15.1	5.1	0.005	11.94	26.67	1.35
TS2200V/H-100Y	10	14.3	6.0	0.006	11.94	26.67	1.35
TS2200V/H-120Y	12	14.2	6.9	0.006	11.94	26.67	1.35
TS2200V/H-150Y	15	13.6	8.3	0.007	11.94	26.67	1.35
TS2200V/H-180Y	18	13.1	9.7	0.007	11.94	26.67	1.35
TS2200V/H-220Y	22	12.6	11.5	0.008	11.94	26.67	1.35
TS2200V/H-270Y	27	11.8	13.5	0.009	11.94	26.67	1.35
TS2200V/H-330Y	33	11.1	15.7	0.010	11.94	26.67	1.35
TS2200V/H-390Y	39	10.8	18.1	0.011	11.94	26.67	1.35
TS2200V/H-470Y	47	10.3	20.9	0.012	11.94	26.67	1.35
TS2200V/H-560Y	56	9.8	23.9	0.013	11.94	26.67	1.35
TS2200V/H-680Y	68	7.6	33.9	0.022	11.43	26.16	1.067
TS2200V/H-820Y	82	7.1	39.0	0.024	11.43	26.16	1.067
TS2200V/H-101Y	100	6.8	45.6	0.027	11.43	26.16	1.067
TS2200V/H-121Y	120	5.1	63.4	0.047	10.92	25.65	0.86
TS2200V/H-151Y	150	4.9	76.0	0.052	10.92	25.65	0.86
TS2200V/H-181Y	180	4.7	88.5	0.057	10.92	25.65	0.86
TS2200V/H-221Y	220	4.4	103.1	0.063	10.92	25.65	0.86
TS2200V/H-271Y	270	4.2	121.1	0.070	10.92	25.65	0.86
TS2200V/H-331Y	330	4.0	141.9	0.077	10.92	25.65	0.86
TS2200V/H-391Y	390	3.8	161.2	0.084	10.92	25.65	0.86
TS2200V/H-471Y	470	3.7	185.7	0.092	10.92	25.65	0.86
TS2200V/H-561Y	560	3.5	212.0	0.101	10.92	25.65	0.86
TS2200V/H-681Y	680	2.7	307.6	0.176	11.94	25.15	0.686
TS2200V/H-821Y	820	2.5	355.5	0.194	11.94	25.15	0.686
TS2200V/H-102Y	1000	2.4	412.5	0.216	11.94	25.15	0.686

PHYSICAL CHARACTERISTICS:

WINDING:



- Rated Current is based on an Irms temperature rise of 20 °C
- Inductance tolerance: 1.0-8.2uH ± 20%, 10-1000uH ± 15%
- Rated current to cause 30 °C temperature rise

HIGH TEMPERATURE, HIGH CURRENT TOROID INDUCTORS

TS2300 SERIES

FEATURES:

- Low core loss
- Low magnetic radiation
- High current capacity
- Horizontal or vertical mount available
- Operating temperature: -55°C to +125°C

APPLICATIONS:

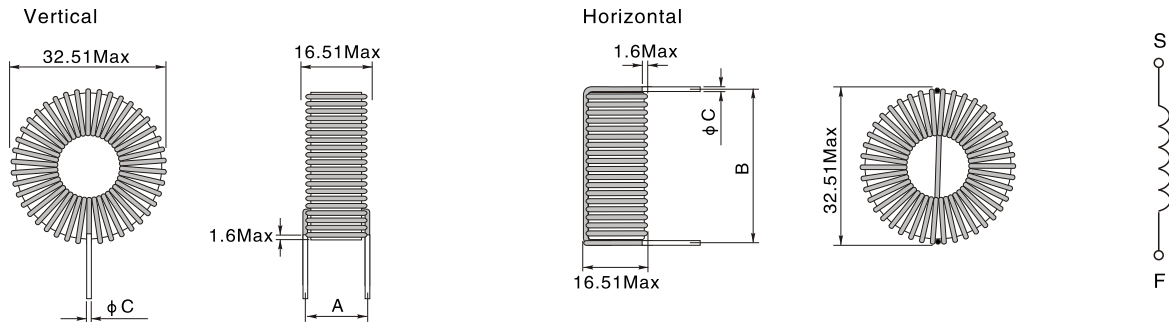
- Switch mode power supplies
- DC/DC converter
- Output chokes
- EMI filters



ELECTRICAL CHARACTERISTICS:

Part Number	Inductance L0(μH) 10KHz,0.1V	Rated current Idc (A)	Inductance Lidc(μH) 10KHz,0.1V	DCR Max. (Ω)	Dim. (mm) A	Dim. (mm) B	Dim. (mm) C
TS2300V/H-1R5Y	1.5	34.0	1.1	0.001	15.0	30.74	1.68
TS2300V/H-2R7Y	2.7	29.4	1.9	0.002	15.0	30.74	1.68
TS2300V/H-3R9Y	3.9	26.3	2.6	0.002	15.0	30.74	1.68
TS2300V/H-5R6Y	5.6	24.0	3.5	0.003	15.0	30.74	1.68
TS2300V/H-8R2Y	8.2	22.3	4.9	0.003	15.0	30.74	1.68
TS2300V/H-100Y	10	20.8	5.8	0.004	15.0	30.74	1.68
TS2300V/H-120Y	12	19.6	6.7	0.004	15.0	30.74	1.68
TS2300V/H-150Y	15	18.6	8.0	0.005	15.0	30.74	1.68
TS2300V/H-180Y	18	18.5	9.0	0.005	15.0	30.74	1.68
TS2300V/H-220Y	22	17.7	10.6	0.005	15.0	30.74	1.68
TS2300V/H-270Y	27	17.0	12.6	0.006	15.0	30.74	1.68
TS2300V/H-330Y	33	13.0	17.9	0.010	14.22	30.0	1.35
TS2300V/H-390Y	39	12.2	20.1	0.011	14.22	30.0	1.35
TS2300V/H-470Y	47	11.8	23.7	0.012	14.22	30.0	1.35
TS2300V/H-560Y	56	8.9	31.9	0.020	13.72	29.5	1.067
TS2300V/H-680Y	68	8.5	37.4	0.023	13.72	29.5	1.067
TS2300V/H-820Y	82	8.1	43.7	0.025	13.72	29.5	1.067
TS2300V/H-101Y	100	7.8	51.7	0.027	13.72	29.5	1.067
TS2300V/H-121Y	120	7.4	59.3	0.030	13.72	29.5	1.067
TS2300V/H-151Y	150	7.0	71.1	0.033	13.72	29.5	1.067
TS2300V/H-181Y	180	6.7	82.1	0.037	13.72	29.5	1.067
TS2300V/H-221Y	220	5.1	116.6	0.063	13.21	29.0	0.864
TS2300V/H-271Y	270	4.8	137.7	0.070	13.21	29.0	0.864
TS2300V/H-331Y	330	4.6	160.8	0.079	13.21	29.0	0.864
TS2300V/H-391Y	390	4.4	183.6	0.085	13.21	29.0	0.864
TS2300V/H-471Y	470	4.2	212.5	0.094	13.21	29.0	0.864
TS2300V/H-561Y	560	4.0	243.6	0.103	13.21	29.0	0.864
TS2300V/H-681Y	680	3.8	283.0	0.113	13.21	29.0	0.864
TS2300V/H-821Y	820	3.6	327.4	0.123	13.21	29.0	0.864
TS2300V/H-102Y	1000	3.5	378.9	0.137	13.21	29.0	0.864

PHYSICAL CHARACTERISTICS: WINDING:



- Rated Current is based on an Irms temperature rise of 20 °C
- Inductance tolerance: 1.0-8.2uH ± 20%, 10-1000uH ± 15%
- Rated current to cause 30 °C temperature rise