



# SHAANXI SHINHOM ENTERPRISE CO.,LTD

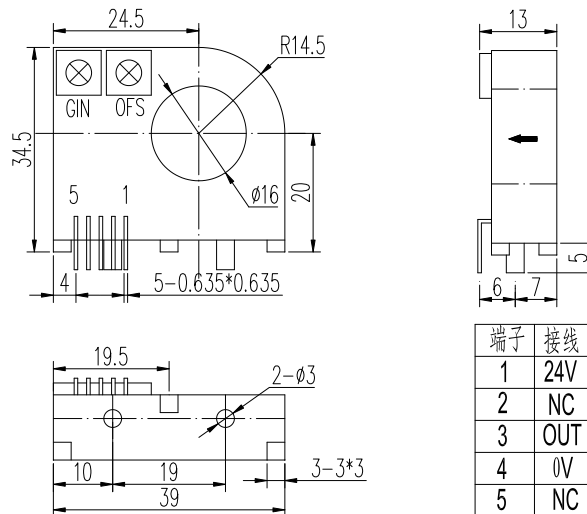
## HKC-LBS5 Series Hall Effect Current Sensor

HKC-LBS5 Series current sensor with a galvanic isolation between primary and secondary circuit. It provides accurate electronic measurement of DC, AC or pulsed currents.

### ELECTRICAL DATA

	HKC50LBS5	HKC100LBS5	HKC200LBS5	HKC300LBS5	
Rated input current	50	100	200	300	A
Test current range	75	150	300	450	A
Rated output voltage	0.625±1%				V
Supply voltage	24±5%				V
Zero voltage Offset	2.5±0.025				V
Current consumption	≤20				mA
Linearity	≤±1				%FS
Response time	<5				μs
Output temperature drift	≤±3				mV/°C
Zero temperature drift	≤±1				mV/°C
Insulation voltage 50(60)HZ,1min	2.5				KV
Operating Temperature	-10~+80				°C
Storage Temperature	-40~+85				°C

### MUTING DIMENSIONS(FOR REFERENCE ONLY)



### INSTRUCTIONS FOR USE

1. When the current will be measured goes through a sensor, the voltage will be measured at the output end. (Note: The false wiring may result in the damage of the sensor).
2. The output amplitude of the sensor can be adjusted according to users requirements.
3. Custom design in the nominal input current and the output voltage available