

HIGH CURRENT TOROID INDUCTORS

TR2000 SERIES



FEATURES:

- Low radiation
- Low core loss
- High operation frequency
- High current capacity
- Low core saturation
- Horizontal or vertical mount
- Operating temperature: -55°C to +105°C

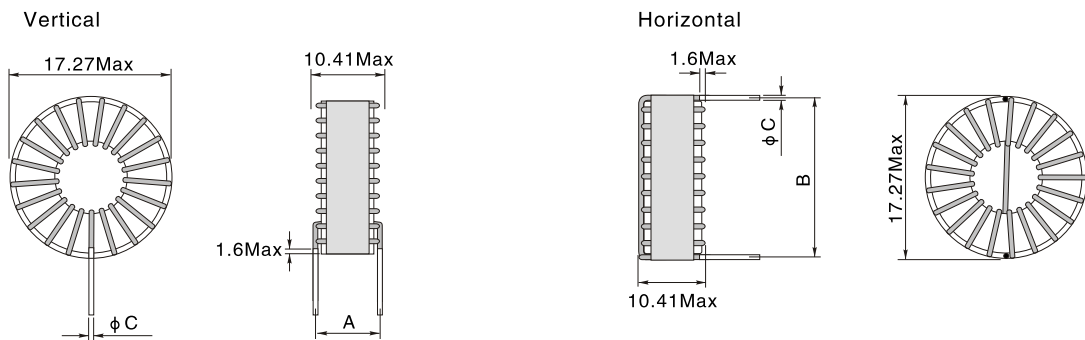
APPLICATIONS:

- High current, low voltage converters
- High-speed computers
- Output chokes
- Video game machines
- EMI Filters

ELECTRICAL CHARACTERISTICS:

Part Number	Inductance L0(μH) ±20% 10KHz,0.1V	Rated current Idc (A)	Inductance L1dc(μH) ±20% 10KHz,0.1V	DCR Max. (Ω)	Dim. (mm) A	Dim. (mm) B	Dim. (mm) C
TR2000V/H-1R2M	1.2	20.2	0.86	0.0022	8.89	15.24	1.5
TR2000V/H-3R3M	3.3	11.1	2.5	0.0067	8.38	14.73	1.067
TR2000V/H-3R9M	3.9	10.5	3.0	0.0074	8.38	14.73	1.067
TR2000V/H-4R7M	4.7	10.1	3.5	0.0077	8.38	14.73	1.067
TR2000V/H-5R6M	5.6	9.7	4.0	0.0084	8.38	14.73	1.067
TR2000V/H-6R8M	6.8	7.2	5.7	0.013	7.87	14.22	0.864
TR2000V/H-8R2M	8.2	7.0	6.4	0.014	7.87	14.22	0.864
TR2000V/H-100M	10	6.6	7.9	0.015	7.87	14.22	0.864
TR2000V/H-120M	12	6.4	8.7	0.016	7.87	14.22	0.864
TR2000V/H-150M	15	4.7	12.4	0.029	7.37	13.46	0.686
TR2000V/H-180M	18	4.5	14.5	0.032	7.37	13.46	0.686
TR2000V/H-220M	22	4.3	16.7	0.035	7.37	13.46	0.686
TR2000V/H-270M	27	4.1	20.4	0.039	7.37	13.46	0.686
TR2000V/H-330M	33	3.5	25.4	0.054	7.37	13.46	0.686
TR2000V/H-390M	39	3.3	29.9	0.059	7.37	13.46	0.686
TR2000V/H-470M	47	3.2	34.6	0.064	7.37	13.46	0.686

PHYSICAL CHARACTERISTICS: WINDING:



Winding



Notes:

- Rated Current is based on an I_{rms} temperature rise of 20 °C
- Inductance Test Conditions: 0.1V, 10KHz
- Rated current to cause 40 °C temperature rise
- Operating Temperature: -55 °C to +105 °C (Temperature rise included)

HIGH CURRENT TOROID INDUCTORS

TR2100 SERIES



FEATURES:

- Low radiation
- Low core loss
- High operation frequency
- High current capacity
- Low core saturation
- Horizontal or vertical mount
- Operating temperature: -55°C to +105°C

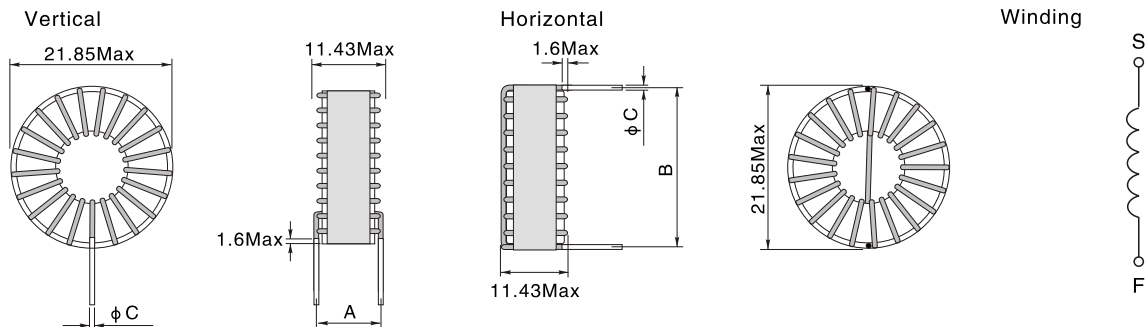
APPLICATIONS:

- High current, low voltage converters
- High-speed computers
- Output chokes
- Video game machines
- EMI Filters

ELECTRICAL CHARACTERISTICS:

Part Number	Inductance L0(μH) ±15% 10KHz,0.1V	Rated current Idc (A)	Inductance Lidc(μH) ±15% 10KHz,0.1V	DCR Max. (Ω)	Dim. (mm) A	Dim. (mm) B	Dim. (mm) C
TR2100V/H-100Y	10	10.8	6.3	0.006	8.64	19.56	1.35
TR2100V/H-120Y	12	10.3	7.4	0.007	8.64	19.56	1.35
TR2100V/H-150Y	15	7.7	10.2	0.012	8.38	19.3	1.067
TR2100V/H-180Y	18	7.4	11.9	0.013	8.38	19.3	1.067
TR2100V/H-220Y	22	7.0	14.2	0.015	8.38	19.3	1.067
TR2100V/H-270Y	27	5.3	19.1	0.026	8.13	19.05	0.864
TR2100V/H-330Y	33	5.0	22.8	0.029	8.13	19.05	0.864
TR2100V/H-390Y	39	4.8	26.4	0.032	8.13	19.05	0.864
TR2100V/H-470Y	47	3.6	34.7	0.055	7.87	19.05	0.686
TR2100V/H-560Y	56	3.4	40.6	0.060	7.87	19.05	0.686
TR2100V/H-680Y	68	3.3	48.3	0.067	7.87	19.05	0.686
TR2100V/H-101Y	100	2.4	75.2	0.13	7.87	18.8	0.56
TR2100V/H-121Y	120	2.2	88.5	0.15	7.87	18.8	0.56
TR2100V/H-151Y	150	3.4	84.3	0.062	8.89	20.07	0.864
TR2100V/H-181Y	180	2.6	113.1	0.11	8.64	19.56	0.686
TR2100V/H-221Y	220	2.4	134.4	0.12	8.64	19.56	0.686
TR2100V/H-271Y	270	1.8	181.6	0.21	8.38	19.3	0.56
TR2100V/H-331Y	330	1.7	216.3	0.23	8.38	19.3	0.56
TR2100V/H-391Y	390	1.7	250.1	0.25	8.38	19.3	0.56
TR2100V/H-471Y	470	1.6	293.8	0.28	8.89	19.3	0.56
TR2100V/H-561Y	560	1.5	341.5	0.30	8.89	20.07	0.56
TR2100V/H-681Y	680	1.4	403.2	0.33	8.89	20.07	0.56
TR2100V/H-821Y	820	1.4	472.8	0.37	8.89	20.07	0.56
TR2100V/H-102Y	1000	1.3	559.2	0.40	9.40	20.57	0.56

PHYSICAL CHARACTERISTICS: WINDING:



Notes:

- Rated Current is based on an Irms temperature rise of 20 °C
- Inductance Test Conditions: 0.1V, 10KHz
- Rated current to cause 30 °C temperature rise
- Operating Temperature: -55 °C to +105 °C (Temperature rise included)

HIGH CURRENT TOROID INDUCTORS

TR2200 SERIES



FEATURES:

- Low radiation
- Low core loss
- High operation frequency
- High current capacity
- Low core saturation
- Horizontal or vertical mount
- Operating temperature: -55°C to +105°C

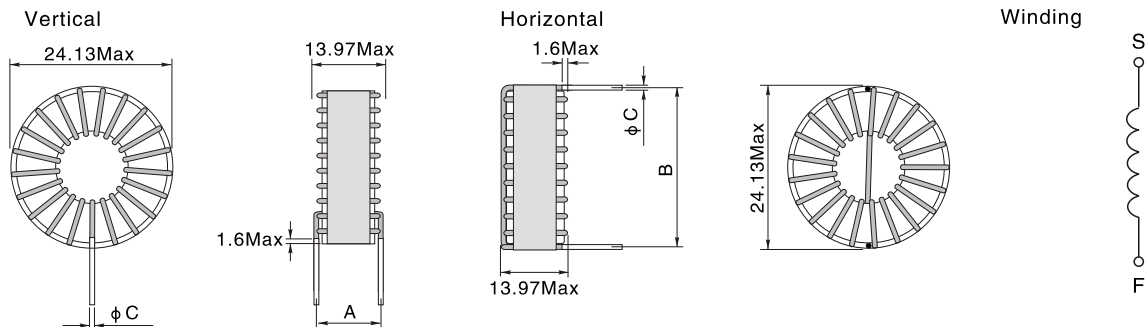
APPLICATIONS:

- High current, low voltage converters
- High-speed computers
- Output chokes
- Video game machines
- EMI Filters

ELECTRICAL CHARACTERISTICS:

Part Number	Inductance L0(μH) ±15% 10KHz,0.1V	Rated current Idc (A)	Inductance Lidc(μH) ±15% 10KHz,0.1V	DCR Max. (Ω)	Dim. (mm) A	Dim. (mm) B	Dim. (mm) C
TR2200V/H-100Y	10	12.5	6.7	0.007	11.684	22.35	1.35
TR2200V/H-120Y	12	12.0	7.9	0.008	11.684	22.35	1.35
TR2200V/H-150Y	15	11.3	9.6	0.008	11.684	22.35	1.35
TR2200V/H-180Y	18	10.8	11.3	0.009	11.684	22.35	1.35
TR2200V/H-220Y	22	10.3	13.4	0.010	11.684	22.35	1.35
TR2200V/H-270Y	27	9.8	16.0	0.011	11.684	22.35	1.35
TR2200V/H-330Y	33	7.4	21.6	0.020	11.43	22.1	1.067
TR2200V/H-390Y	39	7.1	25.0	0.022	11.43	22.1	1.067
TR2200V/H-470Y	47	6.7	29.3	0.024	11.43	22.1	1.067
TR2200V/H-560Y	56	6.4	34.1	0.026	11.43	22.1	1.067
TR2200V/H-680Y	68	4.9	45.7	0.046	11.176	21.844	0.86
TR2200V/H-101Y	100	4.4	64.0	0.056	11.176	21.844	0.86
TR2200V/H-121Y	120	3.3	84.4	0.098	11.176	21.844	0.686
TR2200V/H-151Y	150	3.1	102.7	0.11	11.176	21.844	0.686
TR2200V/H-181Y	180	3.8	105.9	0.075	12.192	22.86	0.86
TR2200V/H-221Y	220	3.6	125.6	0.083	12.192	22.86	0.86
TR2200V/H-271Y	270	3.4	149.4	0.092	12.192	22.86	0.86
TR2200V/H-331Y	330	3.3	176.8	0.10	12.192	22.86	0.86
TR2200V/H-391Y	390	2.5	235.3	0.18	11.684	22.35	0.686
TR2200V/H-471Y	470	2.3	275.9	0.19	11.684	22.35	0.686
TR2200V/H-561Y	560	2.2	320.1	0.21	11.684	22.35	0.686
TR2200V/H-681Y	680	2.1	377.2	0.23	12.446	23.1	0.686
TR2200V/H-821Y	820	2.0	441.5	0.26	12.446	23.1	0.686
TR2200V/H-102Y	1000	1.9	521.3	0.28	12.446	23.1	0.686

PHYSICAL CHARACTERISTICS: WINDING:



Notes:

- Rated Current is based on an Irms temperature rise of 20 °C
- Inductance Test Conditions: 0.1V, 10KHz
- Rated current to cause 30 °C temperature rise
- Operating Temperature: -55 °C to +105 °C (Temperature rise included)

HIGH CURRENT TOROID INDUCTORS

TR2300 SERIES



FEATURES:

- Low radiation
- Low core loss
- High operation frequency
- High current capacity
- Low core saturation
- Horizontal or vertical mount
- Operating temperature: -55°C to +105°C

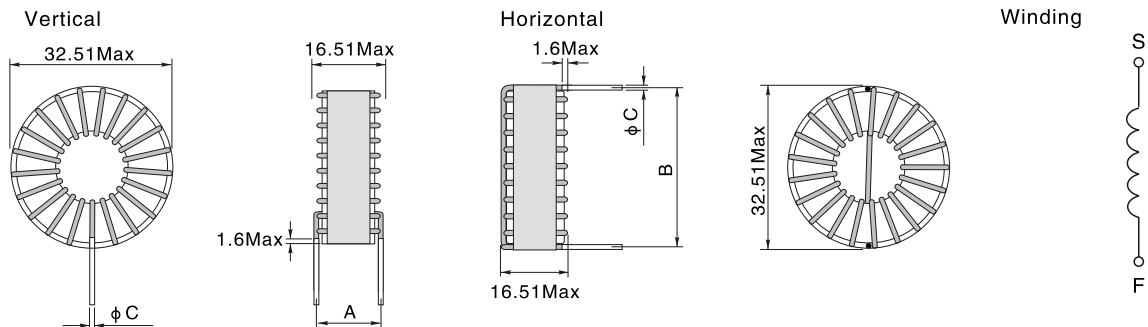
APPLICATIONS:

- High current, low voltage converters
- High-speed computers
- Output chokes
- Video game machines
- EMI Filters

ELECTRICAL CHARACTERISTICS:

Part Number	Inductance L0(μH) ±15% 10KHz,0.1V	Rated current Idc (A)	Inductance Lidc(μH) ±15% 10KHz,0.1V	DCR Max. (Ω)	Dim. (mm) A	Dim. (mm) B	Dim. (mm) C
TR2300V/H-100Y	10	20.0	6.7	0.005	14.224	29.97	1.676
TR2300V/H-120Y	12	19.1	7.8	0.005	14.224	29.97	1.676
TR2300V/H-150Y	15	18.0	9.5	0.006	14.224	29.97	1.676
TR2300V/H-180Y	18	17.2	11.1	0.006	14.224	29.97	1.676
TR2300V/H-220Y	22	16.4	13.2	0.007	14.224	29.97	1.676
TR2300V/H-270Y	27	15.6	15.7	0.008	14.224	29.97	1.676
TR2300V/H-330Y	33	11.7	21.3	0.013	13.462	28.96	1.346
TR2300V/H-390Y	39	11.2	24.7	0.014	13.462	28.96	1.346
TR2300V/H-470Y	47	10.7	29.0	0.016	13.462	28.96	1.346
TR2300V/H-560Y	56	10.2	33.7	0.017	13.462	28.96	1.346
TR2300V/H-680Y	68	7.7	45.2	0.03	13.21	28.7	1.067
TR2300V/H-101Y	100	7.0	63.1	0.037	13.21	28.7	1.067
TR2300V/H-121Y	120	6.7	73.9	0.04	13.21	28.7	1.067
TR2300V/H-151Y	150	5.0	101.4	0.071	12.95	28.45	0.864
TR2300V/H-181Y	180	4.8	118.9	0.078	12.95	28.45	0.864
TR2300V/H-221Y	220	5.8	123.8	0.054	14.224	29.72	1.067
TR2300V/H-271Y	270	5.5	147.2	0.06	14.224	29.72	1.067
TR2300V/H-331Y	330	5.2	174.1	0.067	14.224	29.72	1.067
TR2300V/H-391Y	390	5.0	200.2	0.072	14.224	29.72	1.067
TR2300V/H-471Y	470	3.8	271.4	0.13	13.72	29.46	0.864
TR2300V/H-561Y	560	3.6	314.8	0.14	13.72	29.46	0.864
TR2300V/H-681Y	680	3.4	370.7	0.15	13.72	29.46	0.864
TR2300V/H-821Y	820	2.6	500.9	0.27	13.46	28.96	0.686
TR2300V/H-102Y	1000	2.4	593.6	0.3	13.46	28.96	0.686

PHYSICAL CHARACTERISTICS: WINDING:



Notes:

- Rated Current is based on an Irms temperature rise of 20 °C
- Inductance Test Conditions: 0.1V, 10KHz
- Rated current to cause 30 °C temperature rise
- Operating Temperature: -55 °C to +105 °C (Temperature rise included)