



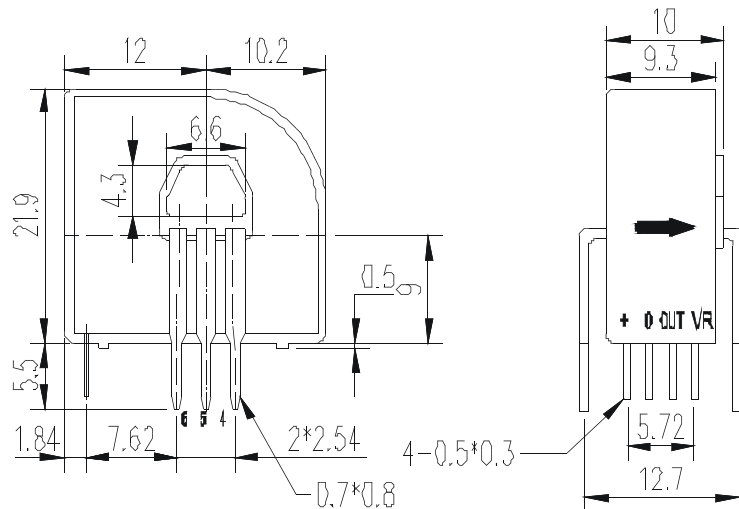
HBC-DS5 Series Hall Effect Current Sensor

HBC-DS5 Series current sensor with a galvanic isolation between primary and secondary circuit. It provides accurate electronic measurement of DC, AC or pulsed currents.

ELECTRICAL DATA

	HBC06DS5	HBC15DS5	HBC25DS5	HBC50DS5	
Rated input current	6	15	25	50	A
Test current range	19.2	48	80	120	A
Turns ratio	960	1200	2000	2000	T
Rated output voltage	0.625±0.5%	0.625±0.5%	0.625±0.5%	0.625±0.5%	V
Supply voltage	+5±5%				V
Offset voltage	2.5±0.5%				V
Offset voltage Drift	±0.5@-40~+85°C				mV/°C
Linearity	±0.2				%FS
Class	±0.7				%
di/dt	> 50				A/μS
Response time	< 500				nS
Bandwidth(-1db)	DC...200				KHZ
Insulation voltage	50HZ,1min,2.5				KV
Operating Temperature	-40~+85				°C
Storage Temperature	-40~+105				°C

MUTING DIMENSIONS(FOR REFERENCE ONLY)



THE WIRING DIAGRAM

Turns	Rated input current(A)	Rated output voltage(V)	Pri DCR[mΩ]	Pri inductance [uH]	Terminal
1	±6(±15, ±25, ±50)	2.5±0.625	0.18	0.013	
2	±3(±7.5,±12.5,±25)	2.5±0.625	0.81	0.05	
3	±2(±5,±8.3,±16.6)	2.5±0.625	1.62	0.12	