



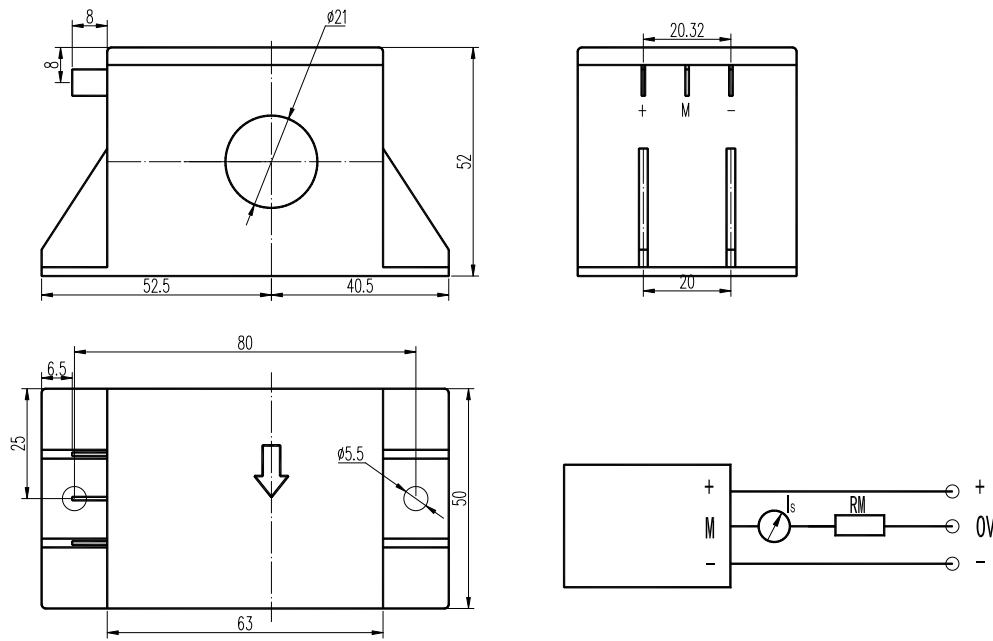
HBC-US Series Hall Effect Current Sensor

HBC-US Series current sensor with a galvanic isolation between primary and secondary circuit. It provides accurate electronic measurement of DC, AC or pulsed currents.

ELECTRICAL DATA

	HBC100US	HBC200US	HBC300US	HBC400US	HBC500US	
Rated input current	100	200	300	400	500	A
Measure current range	200	500	500	600	600	A
Turns ratio	1:2000	1:2000	1:2000	1:2000	1:2500	
Rated output current	100	100	150	200	200	mA
Supply voltage					±12~±18	V
Zero offset current					±0.5	mA
Thermal drift of offset current	-40°C~85°C				±0.5	mA
Response time					<1	µs
Linearity					≤0.1	%FS
Insulation voltage	50HZ,1min				6	KV
di/dt					>200	A/µs
Band width(-3dB)					DC...150	KHz
Sec coil resistance	30	30	30	16	20	Ω
Operating temperature					-40~+85	°C
Storage temperature					-40~+125	°C

DIMENSIONS



DIRECTIONS FOR USE

1. When current go through the sensor, its value can be measured at output end. (Note: wrong wire connection can cause sensor breakdown)
2. Different rated input & output current sensors can be customized according to customer's requirements.

mail: shinhom@globalsources.com