

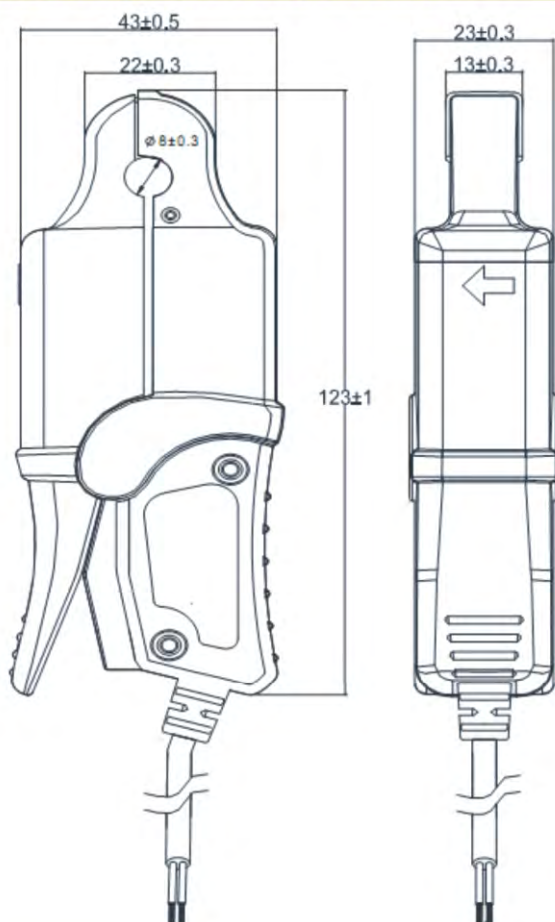
The SCTK08-C series are clamp-on current transformers. The CT can be mounted to existing panels, such as control centers or load centers, to measure or monitor wattage. These CTs can be mounted without removing existing cables for easier installation.



### Electrical Specifications

MODEL	INPUT CURRENT	AVAILABLE OUTPUT
SCTK0801-C	1 A	CURRENT OUTPUTS @ 2mA, 2.5mA, 4mA, 5mA, 10mA VOLTAGE OUTPUTS @ 0.25V, 0.33V, 0.5V.
SCTK0802-C	2 A	
SCTK0803-C	3 A	
SCTK0805-C	5 A	
SCTK0810-C	10 A	

### Mechanical Dimensions in mm



### APPLICATIONS

- Energy and sub-metering products
- Electrical load monitoring
- Network equipment
- Instruments and sensors
- Control systems
- Go GREEN initiatives

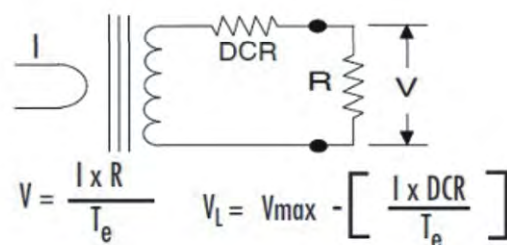
### FEATURES

- 0.315" window opening (ID)
- Custom design Turns-Ratio available
- Rigid housing case with UL 94V-0 durable plastic
- 6ft black/white PVC wire leads—26~20AWG
- Approximate weight 250g

### SPECIFICATIONS

- Standard Input Current 0.01-10A
- Frequency 50Hz — 400Hz
- Standard accuracy 0.2,0.5
- Insulation Voltage 2500 Vac/1min
- Operating Temp. -40°C to +70°C
- Storage Temp. -45°C to +85 °C
- ANSI C57.13 and C12.20 Standards

### Connection Diagram



### CAUTION

Before installation, safety precautions must be followed by licensed professional. Never energize primary unless short circuited terminals or burden connected to secondary.





**SCTK662 series** retro-fit (split-core) current transformer has been specially designed to facilitate their installation in new or already existing net works. They may be installed without opening any cable or bus-bar circuit. An internal precision resistor across the secondary winding of the CT provides a low safe voltage output. It can save time and the installation costs.

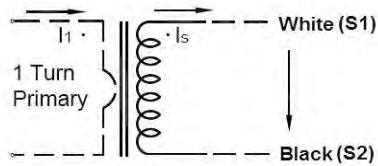
◆ **Features**

- Epoxy Potting, Double-screw fastening, safe, easy to install, portable
- Wide inner window, allowing clamping of big cables or bus-bars
- Wide range of sizes to accommodate all the existing installations

◆ **Applications**

- Current measurement, monitoring and protection for electrical wiring and equipment.
- Current and power measurement for electric motors, lighting, air compressor, heating and ventilation system, air-condition equipment and automation – control system.
- Current, power and energy monitoring device.
- Relay protection device.

◆ **Circuit connection diagram**



◆ **Technique Index**

Electrical Parameter	
Frequency	50-400Hz
Rated Input	5A-3000A
Measuring range	5%In-130%In
Rated Output	0-10V(AC) or 0-5A
Ratio	≤ ± 0.2
Phase angle	≤ ±10min
Dielectric strength	2.5KV/1mA/1min
Insulation Resistance	DC500V/100MΩ min

Mechanical Parameter	
Case	PC /UL94-V0
Bobbin	PBT
Core	Silicon steel
Internal structure	Epoxy
Construction	Tie
Operating Temp	25 75
Operating Humidity	≤85%
Output Connection	UL1015 22AWG Wire(twinsted wire) 2.5m

◆ **Type Selection** Output: mA/V

Mfg P/N	Rated Input (A)	Output (mA/V)	Accuracy	Dimensions(mm/inch)					
				Ø	A	B	C	D	E
SCTK662A-025	5-400A	0-200mA	0.2 0.5 1.0	25	98	70	22	16	30
	(5 100 250 400A)	0-10V		(1.00)	(3.86)	(2.76)	(0.87)	(0.63)	(1.18)
SCTK662B-045	50-1000A	0-500mA	0.2 0.5 1.0	45	128	98	26	16	32
	(50 250 400 1000A)	0-10V		(1.77)	(5.04)	(3.86)	(1.02)	(0.63)	(1.26)
SCTK662C-065	100-1500A	0-500mA	0.2 0.5 1.0	65	148	118	26	16	34
	(100 800 1000 1500A)	0-10V		(2.56)	(5.83)	(4.65)	(1.02)	(0.63)	(1.34)
SCTK662D-080	500-2000A	0-500mA	0.2 0.5 1.0	80	164	132	28	16	36
	(500 1000 1500 2000A)	0-10V		(3.15)	(6.46)	(5.20)	(1.10)	(0.63)	(1.42)
SCTK662E-100	800-3000A	0-600mA	0.2 0.5 1.0	100	194	162	30	16	38
	(800 1000 2500 3000A)	0-10V		(3.94)	(7.64)	(6.38)	(1.18)	(0.63)	(1.50)

**SCTK663 series** retro-fit (split-core) current transformer has been specially designed to facilitate their installation in new or already existing net works. They may be installed without opening any cable or bus-bar circuit. An internal precision resistor across the secondary winding of the CT provides a low safe voltage output. It can save time and the installation costs.

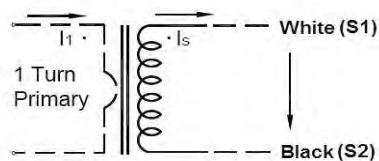
◆ **Features**

- Epoxy Potting, Double-screw fastening, safe, easy to install, portable
- Wide inner window, allowing clamping of big cables or bus-bars
- Wide range of sizes to accommodate all the existing installations

◆ **Applications**

- Current measurement, monitoring and protection for electrical wiring and equipment.
- Current and power measurement for electric motors, lighting, air compressor, heating and ventilation system, air-condition equipment and automation – control system.
- Current, power and energy monitoring device.
- Relay protection device.

◆ **Circuit connection diagram**



◆ **Technique Index**



Electrical Parameter	
Frequency	50-400Hz
Rated Input	5A-1000A
Measuring range	5%In-130%In
Rated Output	0-10V(AC) or 0-5A
Ratio	≤ ± 0.2
Phase angle	≤ ±10min
Dielectric strength	2.5KV/1mA/1min
Insulation Resistance	DC500V/100MΩ min

Mechanical Parameter	
Case	PC /UL94-V0
Bobbin	PBT
Core	Silicon steel
Internal structure	Epoxy
Construction	Tie
Operating Temp	25 75
Operating Humidity	≤85%
Output Connection	UL1015 22AWG Wire(twinsted wire) 2.5m

◆ **Type Selection** Output: mA/V

Mfg P/N	Rated Input (A)	Output (mA/V)	Accuracy	Dimensions(mm/inch)					
				Ø	A	B	C	D	E
SCTK663A-025	5-400A	0-200mA	0.2 0.5 1.0	25	118	90	42	16	32
	(5 100 250 400A)	0-10V		(1.00)	(4.65)	(3.54)	(1.65)	(0.63)	(1.26)
SCTK663B-045	50-1000A	0-500mA	0.2 0.5 1.0	45	145	113	42	16	32
	(50 250 400 1000A)	0-10V		(1.77)	(5.71)	(4.45)	(1.65)	(0.63)	(1.26)

**SCTK667B series** retro-fit (split-core) current transformer has been specially designed to facilitate their installation in new or already existing net works. They may be installed without opening any cable or bus-bar circuit. An internal precision resistor across the secondary winding of the CT provides a low safe voltage output. It can save time and the installation costs.

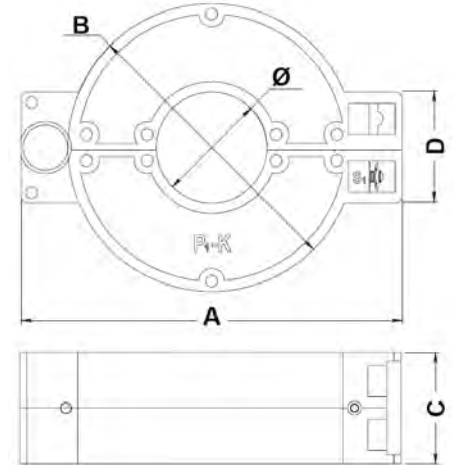
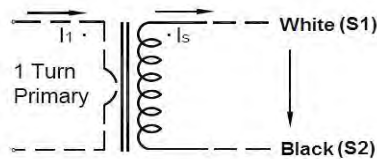
◆ **Features**

- Epoxy Potting, Double-screw fastening, safe, easy to install, portable
- Wide inner window, allowing clamping of big cables or bus-bars
- Wide range of sizes to accommodate all the existing installations

◆ **Applications**

- Current measurement, monitoring and protection for electrical wiring and equipment.
- Current and power measurement for electric motors, lighting, air compressor, heating and ventilation system, air-condition equipment and automation – control system.
- Current, power and energy monitoring device.
- Relay protection device.

◆ **Circuit connection diagram**



◆ **Technique Index**

Electrical Parameter	
Frequency	50-400Hz
Rated Input	5A-3000A
Measuring range	5%In-130%In
Rated Output	0-10V(AC) or 0-5A
Ratio	$\leq \pm 0.1$
Phase angle	$\leq \pm 5\text{min}$
Dielectric strength	3.0KV/1mA/1min
Insulation Resistance	DC500V/100MΩ min

Mechanical Parameter	
Case	ABS /UL94-V0
Bobbin	PBT
Core	Silicon steel
Internal structure	Epoxy
Construction	Tie
Operating Temp	25 75
Operating Humidity	$\leq 85\%$
Output Connection	Terminal

◆ **Type Selection** Output: A/V/mA

P/N	Rated Input (A)	Output (A/V/mA)	Accuracy	Dimensions(mm)				
				Ø				
SCTK667B-025	0-400A	1A/5A 0-10V 0-500mA	0.1 0.2 0.5 1.0	25	100	70	33	32
SCTK667B-032	0-630A			32	110	83	33	32
SCTK667B-055	0-1500A			55	134	106	33	32
SCTK667B-080	0-2000A			80	168	139	33	32
SCTK667B-100	0-3000A			102	198	168	33	32

# Split Core Current Transformers

## SCTK667C Series



**SCTK667C series** retro-fit (split-core) current transformer has been specially designed to facilitate their installation in new or already existing net works. They may be installed without opening any cable or bus-bar circuit. An internal precision resistor across the secondary winding of the CT provides a low safe voltage output. It can save time and the installation costs.

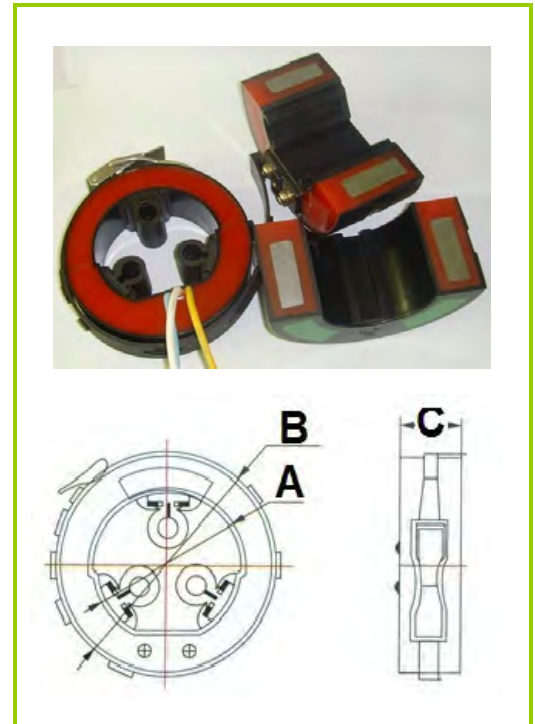
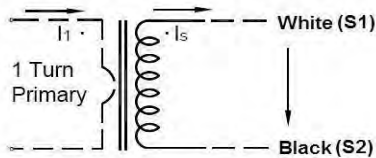
### Features

- Epoxy Potting, Double-screw fastening, safe, easy to install, portable
- Wide inner window, allowing clamping of big cables or bus-bars
- Wide range of sizes to accommodate all the existing installations

### Applications

- Current measurement, monitoring and protection for electrical wiring and equipment.
- Current and power measurement for electric motors, lighting, air compressor, heating and ventilation system, air-condition equipment and automation – control system.
- Current, power and energy monitoring device.
- Relay protection device.

### Circuit connection diagram



### Technique Index

Electrical Parameter	
Frequency	50-500Hz
Rated Input	5A-3000A
Measuring range	5%In-130%In
Rated Output	0-10V(AC) or 0-5A
Ratio	$\leq \pm 0.2\%$
Phase angle	$\leq \pm 10\text{min}$
Dielectric strength	5.0KV/1mA/1min
Insulation Resistance	DC500V/100MΩ min

Mechanical Parameter	
Case	PC /UL94-V0
Bobbin	PBT
Core	Silicon steel
Internal structure	Epoxy
Construction	Tie
Operating Temp	$-25^{\circ}\text{C} \sim +75^{\circ}\text{C}$
Operating Humidity	$\leq 85\%$
Output Connection	UL1015 22AWG Wire(twinsted wire) 1.0m

### Type Selection (Output: mA/V)

P/N	Rated Input (A)	Output (A)	Accuracy	Dimensions(mm)		
				A	B	C
SCTK667C-6432	0-1200A	1A/5A	0.2, 0.5, 1.0	64	104	32
SCTK667C-5052	0-1000A	1A/5A		50	110	52
SCTK667C-50105	0-1000A	1A/5A		50	110	105
SCTK667C-9632	0-2000A	1A/5A		96	130	32
SCTK667C-5550	0-1000A	1A/5A		55	86	50

**ShaanXi Shinhom Enterprise Co.,Ltd**

Tel: +86-029-87851838 Fax: +86-029-87851840

Web: [Http://www.shinhom.com](http://www.shinhom.com) Mail: [sales@shinhom.com.cn](mailto:sales@shinhom.com.cn)



**SCTK671 series** retro-fit (split-core) current transformer has been specially designed to facilitate their installation in new or already existing net works. They may be installed without opening any cable or bus-bar circuit. An internal precision resistor across the secondary winding of the CT provides a low safe voltage output. It can save time and the installation costs.

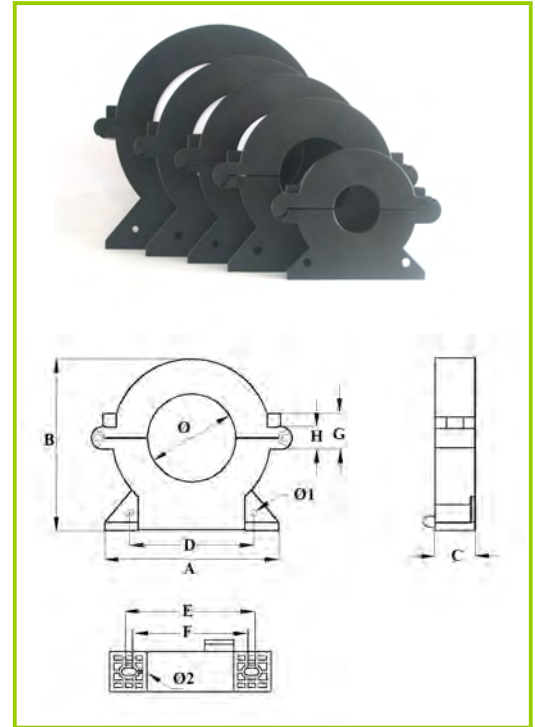
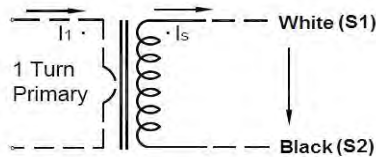
◆ **Features**

- Epoxy Potting, Double-screw fastening, safe, easy to install, portable
- Wide inner window, allowing clamping of big cables or bus-bars
- Wide range of sizes to accommodate all the existing installations

◆ **Applications**

- Current measurement, monitoring and protection for electrical wiring and equipment.
- Current and power measurement for electric motors, lighting, air compressor, heating and ventilation system, air-condition equipment and automation – control system.
- Current, power and energy monitoring device.
- Relay protection device.

◆ **Circuit connection diagram**



◆ **Technique Index**

Electrical Parameter	
Frequency	50-400Hz
Rated Input	5A-3000A
Measuring range	5%In-130%In
Rated Output	0-10V(AC) or 0-5A
Ratio	≤ ± 0.2
Phase angle	≤ ±10min
Dielectric strength	2.5KV/1mA/1min
Insulation Resistance	DC500V/100MΩ min

Mechanical Parameter	
Case	PC /UL94-V0
Bobbin	PBT
Core	Silicon steel
Internal structure	Epoxy
Construction	Tie
Operating Temp	25 75
Operating Humidity	≤85%
Output Connection	UL1015 22AWG Wire(twinsted wire) 2.5m

◆ **Type Selection** Output: mA/V

Mfg P/N	Rated Input (A)	Output (mA/V)	Accuracy	Dimensions(mm/inch)										
				Ø								Ø	Ø	
SCTK671A-025	5-400A	0-200mA	0.2 0.5 1.0	25	80	75	22	56	73	53	21	17	5	5
	(5 100 400A)	0-10V		45	108	107	26	71	100	74	24	13	5	5
SCTK671B-045	50-1000A	0-500mA		65	128	127	26	91	120	94	27	17	5	5
(50 400 1000A)	0-10V	80		144	144	28	97	134	104	27	17	5	5	
SCTK671C-065	100-1500A	0-500mA		100	174	174	30	126	162	120	27	17	5	5
(100 1000 1500A)	0-10V													
SCTK671D-080	500-2000A	0-500mA												
(500 1500 2000A)	0-10V													
SCTK671E-100	800-3000A	0-600mA												
(800 2500 3000A)	0-10V													

**SCTK673 series** retro-fit (split-core) current transformer has been specially designed to facilitate their installation in new or already existing net works. They may be installed without opening any cable or bus-bar circuit. An internal precision resistor across the secondary winding of the CT provides a low safe voltage output. It can save time and the installation costs.

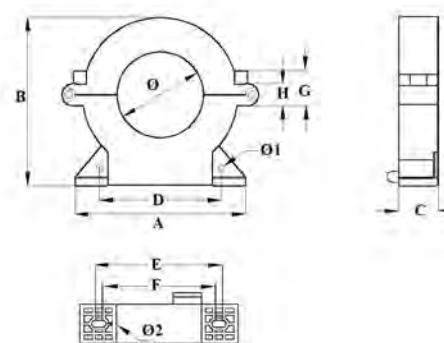
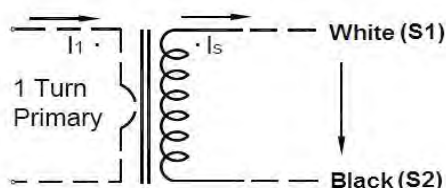
◆ **Features**

- Epoxy Potting, Double-screw fastening, safe, easy to install, portable
- Wide inner window, allowing clamping of big cables or bus-bars
- Wide range of sizes to accommodate all the existing installations

◆ **Applications**

- Current measurement, monitoring and protection for electrical wiring and equipment.
- Current and power measurement for electric motors, lighting, air compressor, heating and ventilation system, air-condition equipment and automation – control system.
- Current, power and energy monitoring device.
- Relay protection device.

◆ **Circuit connection diagram**



◆ **Technique Index**

Electrical Parameter	
Frequency	50-400Hz
Rated Input	5A-1000A
Measuring range	5%In-130%In
Rated Output	0-10V(AC) or 0-5A
Ratio	$\leq \pm 0.2$
Phase angle	$\leq \pm 10\text{min}$
Dielectric strength	2.5KV/1mA/1min
Insulation Resistance	DC500V/100MΩ min

Mechanical Parameter	
Case	PC /UL94-V0
Bobbin	PBT
Core	Silicon steel
Internal structure	Epoxy
Construction	Tie
Operating Temp	25 75
Operating Humidity	$\leq 85\%$
Output Connection	UL1015 22AWG Wire(twinsted wire) 2.5m

◆ **Type Selection** Output: mA/V

Mfg P/N	Rated Input (A)	Output (mA/V)	Accuracy	Dimensions(mm/inch)									
				Ø	A	B	C	D	E	F	G	Ø1	Ø2
SCTK673A-025	5-400A	0-200mA	0.2 0.5 1.0	25	100	100	42	60	87	72	22	16	5
	(5 100 250 400A)	0-10V		(1.0)	(3.9)	(3.9)	(1.7)	(2.4)	(3.4)	(2.8)	(0.9)	(0.6)	(0.2)
SCTK673B-045	50-1000A	0-500mA	0.2 0.5 1.0	45	123	123	42	80	109	94	23	16	5
	(50 250 400 1000A)	0-10V		(1.8)	(4.8)	(4.8)	(1.7)	(3.1)	(4.3)	(3.7)	(0.9)	(0.6)	(0.2)

**ShaanXi Shinhom Enterprise Co.,Ltd**

Tel: +86-029-87851838 Fax: +86-029-87851840

Web: <http://www.shinhom.com> Mail: [sales@shinhom.com.cn](mailto:sales@shinhom.com.cn)

**SCTK681B series** retro-fit (split-core) current transformer has been specially designed to facilitate their installation in new or already existing net works. They may be installed without opening any cable or bus-bar circuit. An internal precision resistor across the secondary winding of the CT provides a low safe voltage output. It can save time and the installation costs.

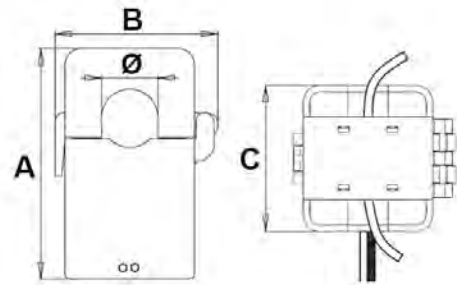
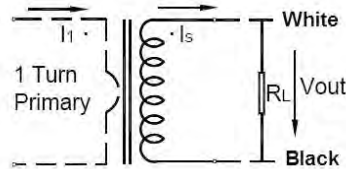
◆ **Features**

- The structure of the self-locking, safe, easy to install, portable
- Wide inner window, allowing clamping of big cables or bus-bars
- Wide range of sizes to accommodate all the existing installations

◆ **Applications**

- Current measurement, monitoring and protection for electrical wiring and equipment.
- Current and power measurement for electric motors, lighting, air compressor, heating and ventilation system, air-condition equipment and automation – control system.
- Current, power and energy monitoring device.
- Relay protection device.

◆ **Circuit connection diagram**



◆ **Technique Index**

Electrical Parameter	
Frequency	50-2KHz
Rated Input	5A-630A
Measuring range	10%In-130%In
Rated Output	0.333V(AC) or 0-500mA
Ratio	± 1.0
Phase angle	≤ ±60min
Dielectric strength	2.5KV/1mA/1min
Insulation Resistance	DC500V/100MΩ min

Mechanical Parameter	
Case	PA /UL94-V0
Bobbin	PBT
Core	Permalloy
Internal structure	Epoxy
Construction	Tie
Operating Temp	25 75
Operating Humidity	≤85%
Output Connection	UL1015 20AWG Wire(twinsted wire) 2.5m

◆ **Type Selection Output: mA/V**

Mfg P/N	Rated Input (A)	Output (mA/V)	Accuracy	Dimensions(mm/inch)			
				Ø	A	B	C
<b>SCTK681B-010</b>	5-75A	0-50mA	0.5 1.0 3.0	10.0 (0.39)	41.5 (1.63)	30.0 (1.18)	26.5 (1.04)
	(5 10 20 50 75)	0.333V					
<b>SCTK681B-016</b>	5-150A	0-100mA	0.5 1.0 3.0	16.0 (0.63)	53.0 (2.09)	36.0 (1.42)	30.5 (1.20)
	(5 10 50 100 150)	0.333V					
<b>SCTK681B-024</b>	10-250A	0-200mA	0.5 1.0 3.0	24.0 (0.95)	70.0 (2.76)	51.5 (2.03)	39.0 (1.50)
	(10 50 100 200 250)	0.333V					
<b>SCTK681B-035</b>	10-630A	0-500mA	0.5 1.0 3.0	35.0 (1.38)	84.0 (3.31)	65.0 (2.56)	41.0 (1.61)
	(20 100 250 400 600)	0.333V					

**ShaanXi Shinhom Enterprise Co.,Ltd**

Tel: +86-029-87851838 Fax: +86-029-87851840

Web: <http://www.shinhom.com> Mail: [sales@shinhom.com.cn](mailto:sales@shinhom.com.cn)

# Product Specification

Date:2015-8-7

Product Name	Current transformer	Model	SCTK681C-013
--------------	---------------------	-------	--------------

Characteristics: Opening size 13mm\*13mm, 1m leading wire, standard 3.5 three-core plug output.

Purpose Used for current measurement, monitor and protection for AC motor, lighting equipment, air compressor etc.

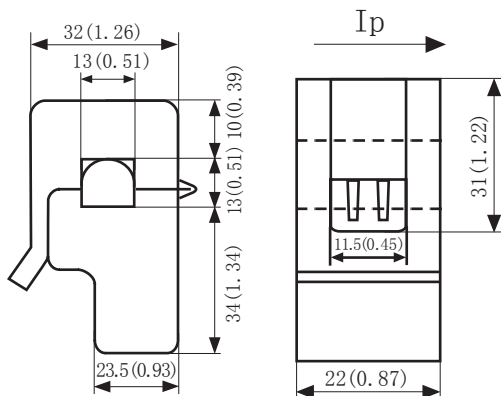
### Technical Data

$I_{PN}$	Rated input	0-60A
$I_{PM}$	Max. detection input	
$I_{OUT}$	Rated output	0-1V
X	Accuracy	$\pm 1\%$
$\epsilon_L$	Linearity	$\leq 0.2\%$
N	Turns ratio	1:1800
$\Phi$	Phase shift	
$R_L$	Max. Sampling resistance	
$V_{PN}$	Work voltage	660V
f	Work frequency	50-1KHz
$T_A$	Operating temperature	-25..+70°C
$T_S$	Storage temperature	-40..+85°C
Vd	Dielectric strength, 50 Hz, 1 min	3KV



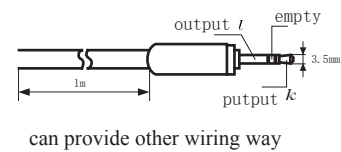
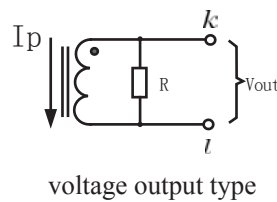
Fire resistance	UL94-V0
Material of core	Ferrite
Mounting type	Suspension
Weight	55g

Dimension ( mm(in). 1 mm= 0.0394 inch)



Front view

Side view



Standard three-core plugs  
schematic diagram

**SCTK691/2 series** retro-fit (Clamp-on) current transformer has been specially designed to facilitate their installation in new or already existing net works. They may be installed without opening any cable or bus-bar circuit. An internal precision resistor across the secondary winding of the CT provides a low safe voltage output. It can save time and the installation costs.

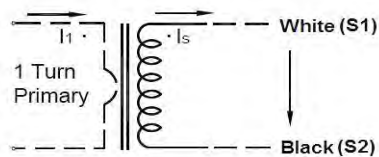
◆ **Features**

- Clamp on design, Fastening, safe, easy to install, portable
- Wide inner window, allowing clamping of big cables or bus-bars
- Wide range of sizes to accommodate all the existing installations

◆ **Applications**

- Current measurement, monitoring and protection for electrical wiring and equipment.
- Current and power measurement for electric motors, lighting, air compressor, heating and ventilation system, air-condition equipment and automation – control system.
- Current, power and energy monitoring device.
- Relay protection device.

◆ **Circuit connection diagram**



◆ **Technique Index**

Electrical Parameter	
Frequency	50-400Hz
Rated Input	5A-3000A
Measuring range	5%In-130%In
Rated Output	0-10V(AC) or 0-5A
Ratio	≤ ± 0.1
Phase angle	≤ ±10min
Dielectric strength	3.0KV/1mA/1min
Insulation Resistance	DC500V/100MΩ min

Mechanical Parameter	
Case	ABS /UL94-V0
Bobbin	PBT
Core	Silicon steel / Permalloy
Internal structure	Screw
Construction	Screw
Operating Temp	25 75
Operating Humidity	≤85%
Output Connection	UL1015 22AWG Wire(twinsted wire) 2.5m

◆ **Type Selection**

Mfg P/N	Rated Input	Ratio	Accuracy	Dimensions(mm) (ID-L-W-H)
<b>SCTK691A-008</b>	0-20A	1000 1	0.1 0.2 0.5	8.0-135.0-42.0-20.0
<b>SCTK691A-013</b>	0-100A		0.1 0.2 0.5	13.0-137.0-42.0-25.0
<b>SCTK691A-020</b>	5-250A	2000 1	0.1 0.2 0.5	20.0-137.0-46.0-25.0
<b>SCTK691A-050</b>	100-1200A	2500 1	0.1 0.2 0.5	50.0-215.0-104.0-27.0
<b>SCTK692A-085</b>	100-1500A	4000 1	0.1 0.2 0.5	82.0*52.0-272.0-116.0-37.0
<b>SCTK692A-125</b>	100-3000A		0.1 0.2 0.5	125.0*52.0-327.0-116.0-37.0

**SCTK691C series** retro-fit (split-core) current transformer has been specially designed to facilitate their installation in new or already existing net works. They may be installed without opening any cable or bus-bar circuit. An internal precision resistor across the secondary winding of the CT provides a low safe voltage output. It can save time and the installation costs.

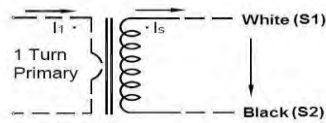
### Features

- The structure of the self-locking, safe, easy to install, portable
- Wide inner window, allowing clamping of big cables or bus-bars
- Wide range of sizes to accommodate all the existing installations

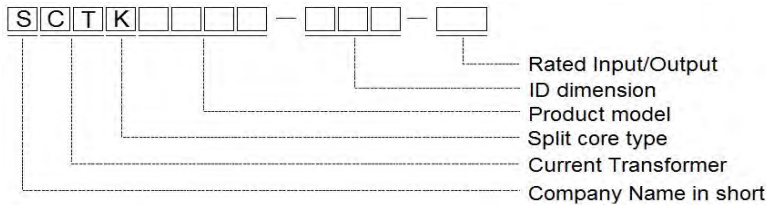
### Applications

- Current measurement, monitoring and protection for electrical wiring and equipment.
- Current and power measurement for electric motors, lighting, air compressor, heating and ventilation system, air-condition equipment and automation – control system.
- Current, power and energy monitoring device.

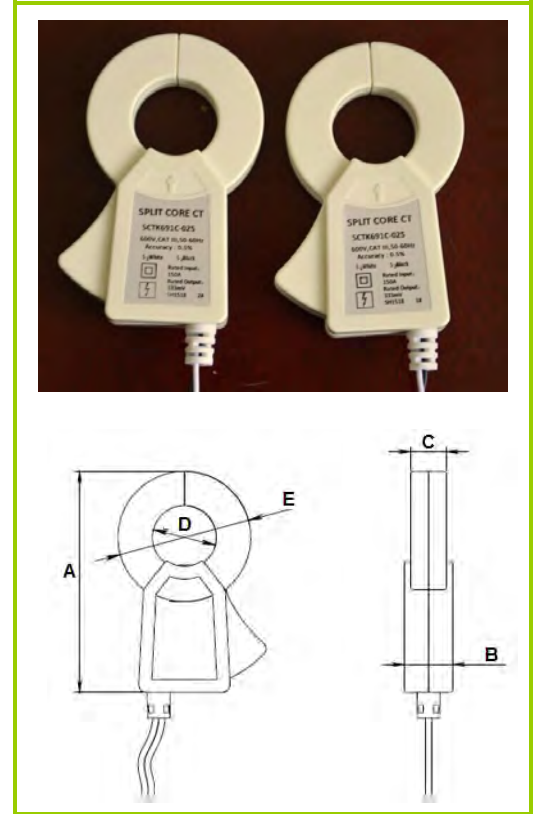
### Circuit connection diagram



### Designation



### Technique Index



Electrical Parameter	
Frequency	50-2.5KHz
Rated Input	0.5A-630A
Measuring range	10%In-130%In
Rated Output	0.333V(AC) or 0-5A
Ratio	$\pm 0.2\%$
Phase angle	$\leq \pm 10\text{min}$
Dielectric strength	5.0KV/1mA/1min
Insulation Resistance	DC500V/100MΩ min

Mechanical Parameter	
Case	PC/UL94-V0
Bobbin	PBT
Core	Permalloy
Internal structure	Epoxy
Construction	Tie
Operating Temp	$-25^{\circ}\text{C} \sim +75^{\circ}\text{C}$
Operating Humidity	$\leq 85\%$
Output Connection	Terminal or UL1015 22AWG Wire 1.5m

### Type Selection

P/N	Rated Input (A)	Output (mA/V)	Accuracy	Dimensions(mm)				
				A	B	C	D	E
SCTK691C-010	0.5-100A	0.333V/0-50mA	0.2、0.5、1.0	63.0	25.0	20.0	10.0	37.0
SCTK691C-016	1-250A	0.333V/0-100mA	0.2、0.5、1.0	71.0	20.0	15.0	16.0	43.0
SCTK691C-025	5-400A	0.333V/0-200mA	0.2、0.5、1.0	87.0	20.0	15.0	25.0	52.0
SCTK691C-036	5-630A	0.333V/0-200mA/1A	0.2、0.5、1.0	117.0	27.0	22.0	35.0	71.0
SCTK691C-050	5-1000A	0.333V/0-500mA/1A/5A	0.2、0.5、1.0	135.0	27.0	22.0	50.0	100.0

**SCTK731 series** retro-fit (split-core) current transformer has been specially designed to facilitate their installation in new or already existing net works. They may be installed without opening any cable or bus-bar circuit. An internal precision resistor across the secondary winding of the CT provides a low safe voltage output. It can save time and the installation costs.

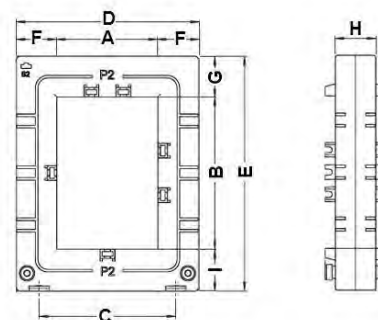
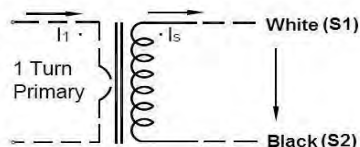
### Features

- Double-screw fastening, safe, easy to install, portable
- Wide inner window, allowing clamping of big cables or bus-bars
- Wide range of sizes to accommodate all the existing installations

### Applications

- Current measurement, monitoring and protection for electrical wiring and equipment.
- Current and power measurement for electric motors, lighting, air compressor, heating and ventilation system, air-condition equipment and automation – control system.
- Current, power and energy monitoring device.
- Relay protection device.

### Circuit connection diagram



### Technique Index

Electrical Parameter	
Frequency	50-400Hz
Rated Input	5A-5000A
Measuring range	5%In-130%In
Rated Output	0-5A
Ratio	$\leq \pm 0.5\%$
Phase angle	$\leq \pm 30\text{min}$
Dielectric strength	2.5KV/1mA/1min
Insulation Resistance	DC500V/100MΩ min

Mechanical Parameter	
Case	PC /UL94-V0
Bobbin	PC
Core	Silicon steel
Internal structure	Epoxy
Construction	Screw
Operating Temp	$-25^{\circ}\text{C} \sim +75^{\circ}\text{C}$
Operating Humidity	$\leq 85\%$
Output Connection	Terminal

### Type Selection (Output: 1A/5A)

Mfg P/N	Rated Input (A)	Output (A)	Accuracy	Dimensions(mm)								
				A	B	C	D	E	F	G	H	I
SCTK731A(23)	100-400A	1A/5A	0.5, 1.0, 3.0	20	30	50	88	104	34	41	40	31
SCTK731B(58)	250-1000A	1A/5A	0.5, 1.0, 3.0	50	80	78	114	145	32	32	33	33
SCTK731C(88)	250-1000A	1A/5A	0.5, 1.0, 3.0	80	80	108	144	145	32	32	33	33
SCTK731D(812)	500-1500A	1A/5A	0.5, 1.0, 3.0	80	120	108	144	185	32	32	33	33
SCTK731E(814)	600-5000A	1A/5A	0.5, 1.0, 3.0	80	140	122	176	228	47	47	53	38
SCTK731F(816)	800-5000A	1A/5A	0.5, 1.0, 3.0	80	160	120	176	246	48	48	53	38
SCTK731G(36)	100-3000A	1A/5A	0.5, 1.0, 3.0	30	60	88	132	131	49	36	55	43
SCTK731H(513)	100-4000A	1A/5A	0.5, 1.0, 3.0	55	130	80	125	195	35	30	53	35



---

<b>SCTK732A-650</b>	<b>0-1600A</b>	<b>1A/5A/0.333</b>	<b>0.2 0.5 1.0</b>	<b>63</b>	<b>52</b>	<b>95</b>	<b>124</b>	<b>64</b>	<b>78</b>	<b>13</b>	<b>2</b>	<b>28</b>	<b>44</b>
<b>SCTK732A-850</b>	<b>0-2000A</b>	<b>1A/5A/0.333</b>	<b>0.2 0.5 1.0</b>	<b>83</b>	<b>52</b>	<b>115</b>	<b>124</b>	<b>64</b>	<b>78</b>	<b>13</b>	<b>2</b>	<b>28</b>	<b>44</b>
<b>SCTK732A-1050</b>	<b>0-2500A</b>	<b>1A/5A/0.333</b>	<b>0.2 0.5 1.0</b>	<b>103</b>	<b>52</b>	<b>135</b>	<b>124</b>	<b>64</b>	<b>78</b>	<b>13</b>	<b>2</b>	<b>28</b>	<b>44</b>
<b>SCTK732A-1250</b>	<b>0-2500A</b>	<b>1A/5A/0.333</b>	<b>0.2 0.5 1.0</b>	<b>123</b>	<b>52</b>	<b>155</b>	<b>124</b>	<b>64</b>	<b>78</b>	<b>13</b>	<b>2</b>	<b>28</b>	<b>44</b>
<b>SCTK732A-1350</b>	<b>0-2500A</b>	<b>1A/5A/0.333</b>	<b>0.2 0.5 1.0</b>	<b>133</b>	<b>52</b>	<b>165</b>	<b>124</b>	<b>64</b>	<b>78</b>	<b>13</b>	<b>2</b>	<b>28</b>	<b>44</b>

**SCTK751 series** retro-fit (split-core) current transformer has been specially designed to facilitate their installation in new or already existing net works. They may be installed without opening any cable or bus-bar circuit. An internal precision resistor across the secondary winding of the CT provides a low safe voltage output. It can save time and the installation costs.

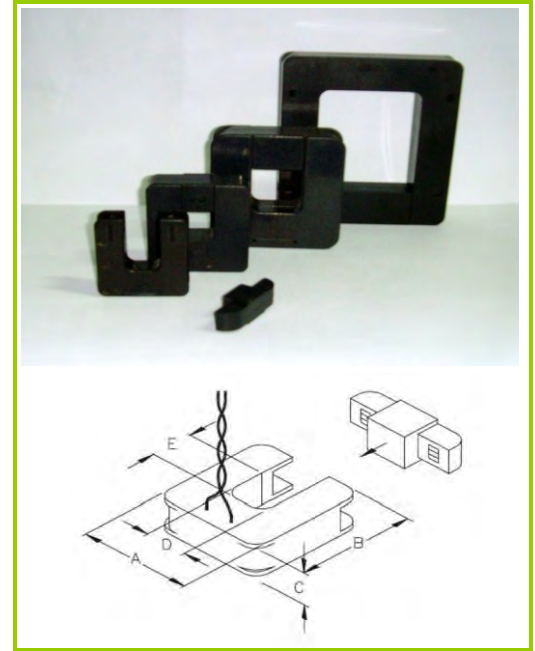
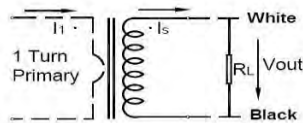
### Features

- Split core design, safe, easy to install, portable
- Wide inner window, allowing clamping of big cables or bus-bars
- Wide range of sizes to accommodate all the existing installations

### Applications

- Current measurement, monitoring and protection for electrical wiring and equipment.
- Current and power measurement for electric motors, lighting, air compressor, heating and ventilation system, air-condition equipment and automation – control system.
- Current, power and energy monitoring device.
- Relay protection device.

### Circuit connection diagram



### Technique Index

Electrical Parameter	
Frequency	50-60Hz
Rated Input	5A-5000A
Measuring range	10%In-130%In
Rated Output	0.333V(AC) or 0-500mA
Ratio	± 1.0%
Phase angle	≤ ±90min
Dielectric strength	2.5KV/1mA/1min
Insulation Resistance	DC500V/100MΩ min

Mechanical Parameter	
Case	PC /UL94-V0
Bobbin	PBT
Core	Permalloy
Internal structure	Epoxy
Construction	Tie
Operating Temp	-25°C ~ +75°C
Operating Humidity	≤85%
Output Connection	UL1015 22AWG Wire(twisted wire) 2.0m

### Type Selection

Mfg P/N	Rated Input (A)	Output (mA/V)	Accuracy	Dimensions(mm/inch)				
				A	B	C	D	E
SCTK751A	5-200A (5, 10, 30, 50, 75, 100, 125, 150, 200)	0-13.3mA 0.333V	1.0	50.8 (2.00)	53.3 (2.09)	15.0 (0.59)	19.1 (0.75)	19.1 (0.75)
SCTK751B	10-400A (10, 50, 75, 150, 200, 250, 300, 400)	0-26.6mA 0.333V	1.0	59.6 (2.35)	62.7 (2.47)	21.0 (0.83)	19.1 (0.75)	19.1 (0.75)
SCTK751C	50-630A (50, 100, 125, 200, 250, 400, 600, 630)	0-66.6mA 0.333V	1.0	82.5 (3.25)	85.1 (3.35)	25.6 (1.01)	31.8 (1.25)	31.8 (1.25)
SCTK751D	100-2000A (100, 250, 400, 630, 800A, 1000, 2000)	0-200mA 0.333V	1.0	121.0 (4.76)	127.0 (5.00)	30.4 (1.19)	50.8 (2.00)	50.8 (2.00)
SCTK751E	200-3000A (200, 250, 400, 630, 1500, 2500, 3000)	0-300mA 0.333V	1.0	118.0 (4.65)	133.0 (5.24)	24.0 (0.94)	68.0 (2.68)	80.0 (3.15)
SCTK751F	400-5000A (400, 800, 1000, 1500, 2000, 3000, 5000)	0-500mA 0.333V	1.0	146.0 (5.75)	190.5 (7.50)	35.6 (1.40)	76.2 (3.00)	127.0 (5.00)

## Open loop hall effect current sensor

### HCF-5A~1200A HCK-20A~15,000A

Used to measure DC, AC, pulse current.... The measured current on the primary side is electrically isolated from the output current on the secondary side

Feature:

Test frequency: 0~20KHz

Response time: Less than 10uS

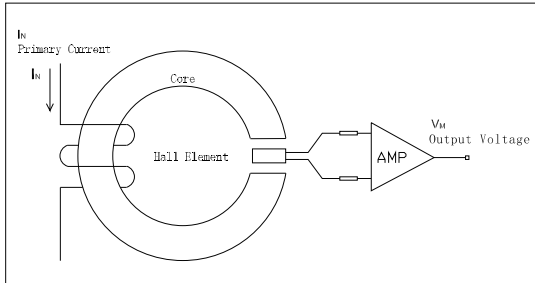
Linearity: 0.1%

No insertion loss measured

Measure AC, DC and pulse current

The primary current is highly isolated from the secondary output signal

Open-loop Hall magnetic compensation principle manufacturing

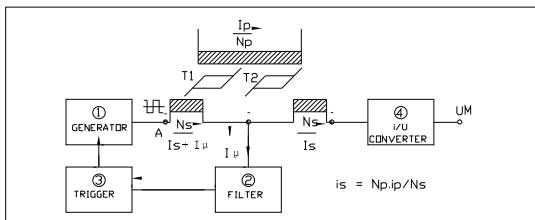


Working principle:

When the measured current  $I_N$  flows through the conductor, a magnetic field proportional to the current is generated around the conductor, which is measured by the Hall element. The output voltage  $V_m$  is proportional to the measured current  $I_N$ , and the  $V_m$  accurately reflects the current on the primary side.

## Low current (leakage current) sensor

### HCD-20mA~300mA(DC)



Working principle:

The compensation current generated by the internal square wave shaker compensates the primary current to achieve magnetic field balance. At this time, the output value accurately reflects the primary current, which is mainly used for small current and difference current detection.

## HCF Series hall effect current sensor

Part No (* rated current)	Rated input current $I_N$ (A)	$I_r$ (A)	$V_m$ (V)	$T_a=25^\circ\text{C}$	$I_{off}$ (mV)	$V_c$ (V)	$I_c$ (mA)	$V_i$ (KV)	$T_a$ ( $^\circ\text{C}$ )	W (g)	Input hole mm	Fig. No.
HCF-*BP	50/100/300/500/600	$\pm I_N \times 133\%$	$2.5V \pm 1.5V$	1.0%	$2.5V \pm 30mV$	+5	15	2.5	-40~+85	85	10x20	1
HCF-*FS	50/100/300/500/600	$\pm I_N \times 133\%$	$2.5V \pm 1.5V$	1.0%	$2.5V \pm 30mV$	+5	15	2.5	-40~+85	85	$\phi 20$	19
HCF-*P	5/10/15/20/25	$\pm I_N \times 150\%$	$\pm 4$	1.0%	$\pm 30$	$\pm 12 \sim 15$	25	2.5	-10~+70	15	PCB	7
HCF-*B	10/50/100/200/300/400/600	$\pm I_N \times 150\%$	$\pm 4$	1.0%	$\pm 30$	$\pm 12 \sim 15$	25	2.5	-10~+70	40	10x20	13
HCF-*H	50/100/200/300/400/500/600	$\pm I_N \times 150\%$	$\pm 4$	1.0%	$\pm 30$	$\pm 12 \sim 15$	25	3	-10~+70	80	16x22	14
HCF-*F	20/50/100/200/400/600	$\pm I_N \times 150\%$	$\pm 4$	1.0%	$\pm 30$	$\pm 12 \sim 15$	25	3	-10~+70	105	$\phi 20$	10
HCF-*G	50/100/200/400/600/800	$\pm I_N \times 150\%$	$\pm 4$	1.0%	$\pm 30$	$\pm 12 \sim 15$	25	5	-10~+70	360	$\phi 35$	11
HCF-*K	100/300/500/800/1000	$\pm I_N \times 150\%$	$\pm 4$	1.0%	$\pm 30$	$\pm 12 \sim 15$	25	5	-10~+70	700	$\phi 45$	4
HCF-*L	200/500/1000/1200	$\pm I_N \times 150\%$	$\pm 4$	1.0%	$\pm 30$	$\pm 12 \sim 15$	25	5	-10~+70	900	$\phi 55$	8

## HCK Series hall effect current sensor(Split core)

Part No (* rated current)	Rated input current $I_N$ (A)	$I_r$ (A)	$V_m$ (V)	$T_a=25^\circ\text{C}$	$I_{off}$ (mV)	$V_c$ (V)	$I_c$ (mA)	$V_i$ (KV)	$T_a$ ( $^\circ\text{C}$ )	W (g)	Input mm	Fig. No.
HCK-*R	50/100/200/400/600/800	$\pm I_N \times 150\%$	$\pm 4$	1.0%	$\pm 30$	$\pm 12 \sim 15$	25	5	-10~+70	290	$\phi 40$	2
HCK-*R1	20/50/100/200/300/400/500	$\pm I_N \times 150\%$	$\pm 4$	1.0%	$\pm 30$	$\pm 12 \sim 15$	25	5	-10~+70	100	$\phi 21$	12
HCK-*Y4	50/100/200/300/400/500/600	$\pm I_N \times 150\%$	$\pm 4$	1.0%	$\pm 30$	$\pm 12 \sim 15$	25	5	-10~+70	110	15x41.5	3
HCK-*Y31	100/500/1000/1500/2000	$\pm I_N \times 150\%$	$\pm 4$	1.0%	$\pm 30$	$\pm 12 \sim 15$	25	5	-10~+70	330	16x64	16
HCK-*Y2	500/1000/2000/3000/6000	$\pm I_N \times 150\%$	$\pm 4$	1.0%	$\pm 30$	$\pm 12 \sim 15$	25	5	-10~+70	550	23x103.5	5
HCK-*Y21	500/1000/2000/3000/6000	$\pm I_N \times 150\%$	$\pm 4$	1.0%	$\pm 30$	$\pm 12 \sim 15$	25	5	-10~+70	660	40x103.5	17
HCK-*Y1	1000/2000/3000/5000/10000	$\pm I_N \times 150\%$	$\pm 4$	1.0%	$\pm 30$	$\pm 12 \sim 15$	25	5	-10~+70	800	50x165	6
HCK-*Y11	2000/3000/5000/10000/15000	$\pm I_N \times 150\%$	$\pm 4$	1.0%	$\pm 30$	$\pm 12 \sim 15$	25	5	-10~+70	1100	78x165	18
HCK-*Y0	2000/3000/5000/8000	$\pm I_N \times 150\%$	$\pm 4$	1.0%	$\pm 30$	$\pm 12 \sim 15$	25	5	-10~+70	600	20.5x165	9
HCK-*Y01	1000/2000/3000/4000/5000	$\pm I_N \times 150\%$	$\pm 4$	1.0%	$\pm 30$	$\pm 12 \sim 15$	25	5	-10~+70	1000	20.5x205	15

## HCD Series low DC current sensor

Part No (* rated current)	Rated input current $I_N$ (A)	$I_r$ (mA)	$V_m$ (V)	$T_a=25^\circ\text{C}$	$V_{off}$ (mV)	$V_c$ (V)	$I_c$ (mA)	$V_i$ (KV)	$T_a$ ( $^\circ\text{C}$ )	W (g)	Input mm	Fig. No.
HCD-*F	20/50/100/200/300	$\pm I_N \times 150\%$	$\pm 5$	1.0%	$\pm 50$	$\pm 12 \sim 15$	25	3	-10~+85	105	$\phi 20$	19
HCD-*G	20/50/100/200/300	$\pm I_N \times 150\%$	$\pm 5$	1.0%	$\pm 50$	$\pm 12 \sim 15$	25	5	-10~+85	360	$\phi 35$	11

\* : Rated current

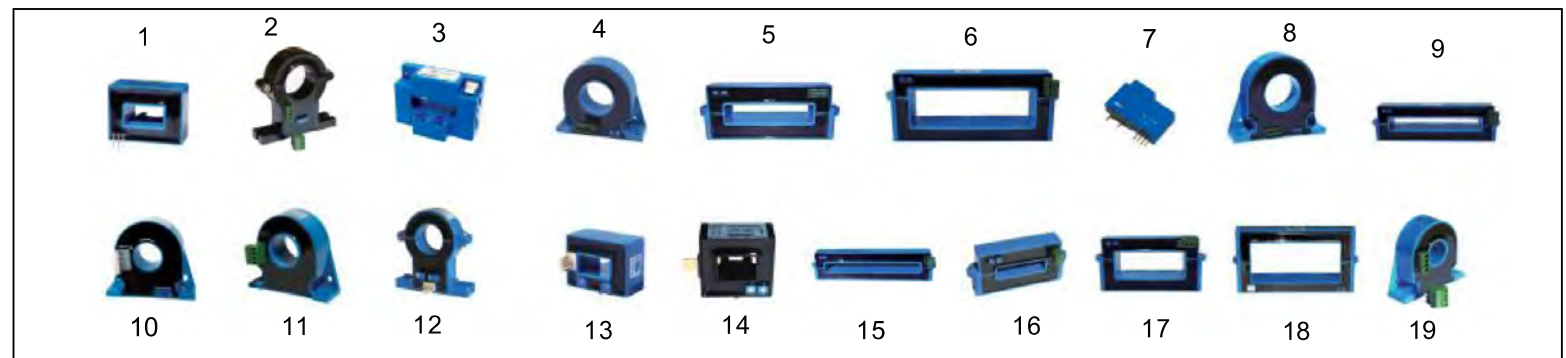




Fig. 11

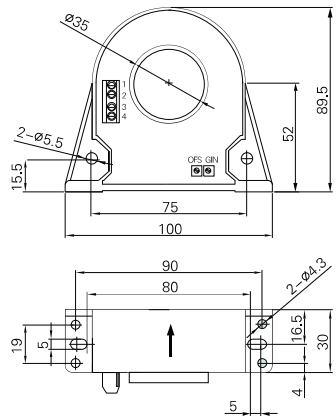


Fig. 12

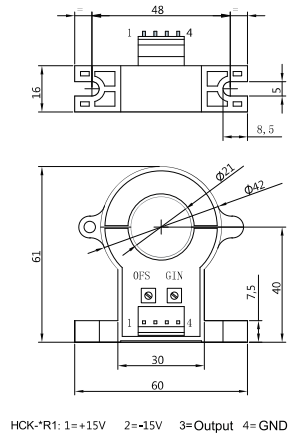


Fig. 13

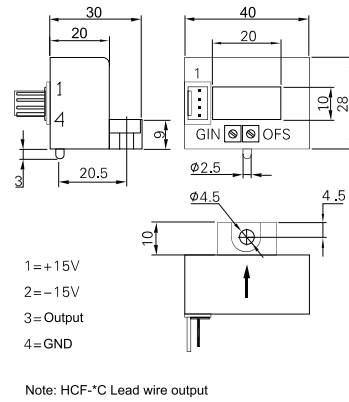


Fig. 14

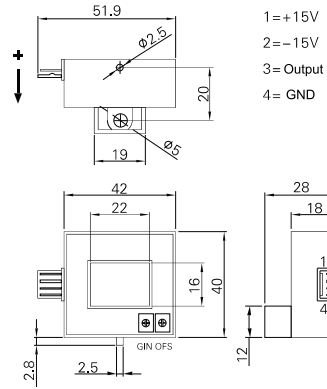


Fig. 15

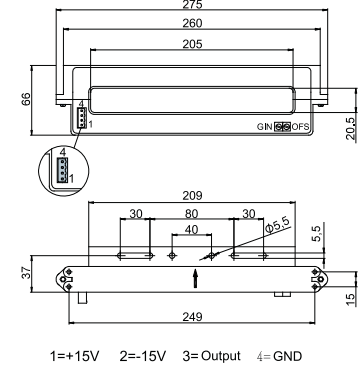


Fig. 16

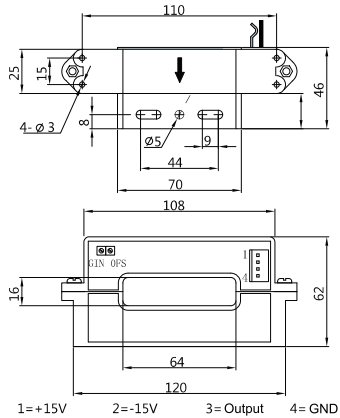


Fig. 17

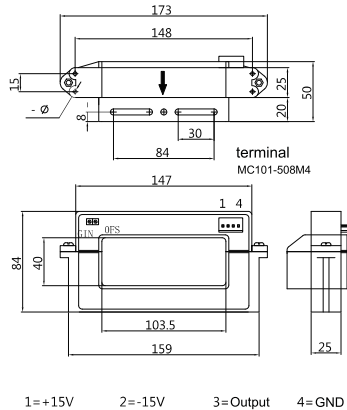


Fig. 18

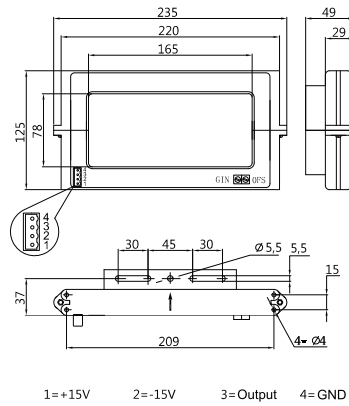
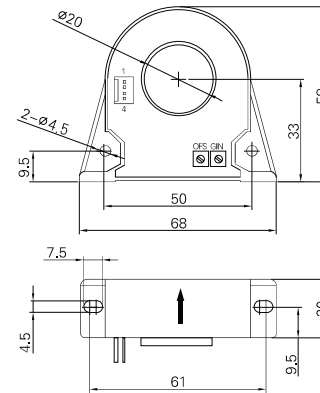


Fig. 19



M	Output
M+	Output+
M-	Output-
NC	NO
IN	Input
IN+(+HT)	Input+
IN-(-HT)	Input-
+VN	Input voltage+
-VN	Input voltage-

$I_N$	Nominal current	$V_{off}$	Offset voltage
$V_N$	Nominal voltage	$T_d$	Temperature drift
$I_p$	Measuring range	L	Linearity
$R_M$	Measuring resistance	$T_r$	Response time
$I_M$	Output current	f	Frequency bandwidth
$V_M$	Output voltage	$T_a$	Operating temperature
$K_N$	Turns ratio	$T_s$	Storage temperature
X	Accuracy	$I_c$	Current consumption
$V_c$	Supply voltage	$R_s$	Secondary resistance
$V_i$	Isolation voltage	$R_N$	Primary resistance
$I_{off}$	Offset current	W	Weight